

PRODUCT NAME:
**STAINLESS STEEL
 SINGLE DECK BASE**

- 45578 W/ 6" SWING SPOUT
- 45586 W/ 8" SWING SPOUT
- 45683 W/ 10" SWING SPOUT
- 45691 W/ 12" SWING SPOUT
- 45705 W/ 14" SWING SPOUT
- 45713 W/ 16" SWING SPOUT

FEATURES:

- * STAINLESS STEEL SINGLE DECK BASE
- * STAINLESS STEEL SWING SPOUT
- * 1/2" SLIP JOINT

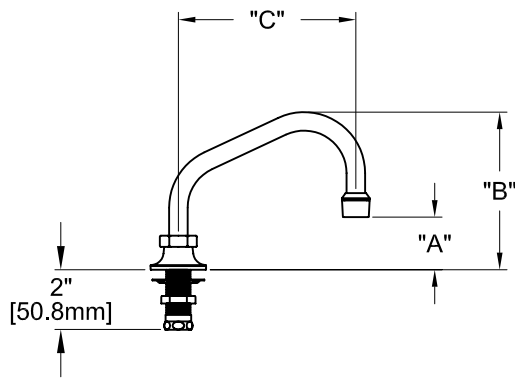
SYSTEM LIMITS

- * TEMP: 40°F MIN. TO 140°F MAX.
- * PRESSURE 200 PSI MAX. STATIC
- * 2.20 GPM AT 80 PSI

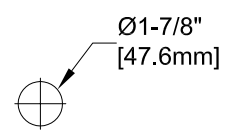
SHIPPING WEIGHT

- * 2.0 LBS

* NSF 61-9 APPROVED & LISTED UNDER MODEL : 59315
www.truesdail.com

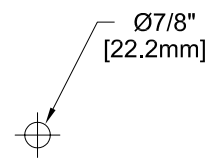


FOOTPRINT:



MODEL	DIM "A"	DIM "B"	DIM "C"
45578	1-3/4" [44.4mm]	5-3/8" [136.5mm]	6" [152.4mm]
45586	2" [50.8mm]	5-7/8" [149.2mm]	8" [203.2mm]
45683	2-5/8" [66.7mm]	6-3/8" [161.9mm]	10" [254.0mm]
45691	3-1/4" [82.6mm]	6-7/8" [174.6mm]	12" [304.8mm]
45705	3-7/8" [98.4mm]	7-3/4" [196.9mm]	14" [355.6mm]
45713	4-5/8" [117.5mm]	8-3/8" [212.7mm]	16" [406.4mm]

ROUGH-IN:



FISHER
 FISHER MANUFACTURING COMPANY
 TOLL FREE: 800-421-6162 - FAX: 800-832-8238
information@fisher-mfg.com - www.fisher-mfg.com