

APPLICATION:

PRODUCT NAME:
 SINGLE DECK FAUCET

JOB NAME:

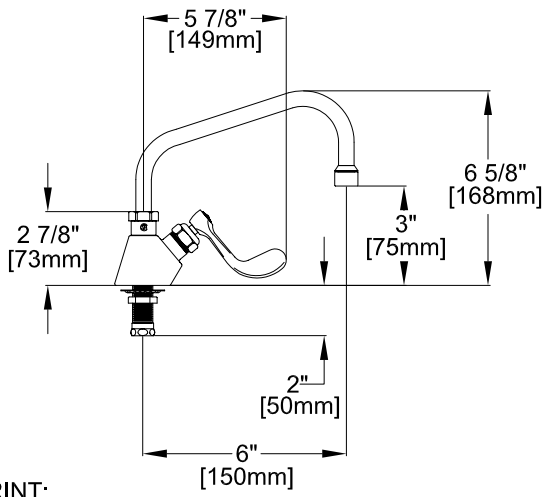
90816 SPECIAL CONFIGURATION
 CHECK BASE MODEL AND OPTIONS

QUANTITY:

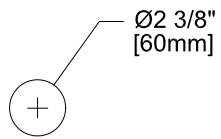
ITEM NO.

MODEL:

- 3010 WITH 6" SWING SPOUT
- 3011 WITH 8" SWING SPOUT
- 3012 WITH 10" SWING SPOUT
- 3013 WITH 12" SWING SPOUT
- 3014 WITH 14" SWING SPOUT
- 1643 WITH 16" SWING SPOUT



FOOTPRINT:



OPTIONS OR MODIFICATIONS:

- SUPPLY LINES (24" OR 36") CIRCLE LENGTH
- DJ SUB-ASSY (7-1/4" OR 13") CIRCLE LENGTH
- HANDLES (CROSS OR WRIST) CIRCLE STYLE
- VANDAL RESISTANT KIT
- OTHER _____

FEATURES

- CONTROL VALVE
- * SINGLE DECK MOUNT
 - * SWIVELLING SEAT DISKS
 - * STEM - LEFT HAND
 - * STAINLESS STEEL SEATS
 - * STAINLESS STEEL SEAT SCREWS
 - * STAINLESS STEEL HANDLE SCREWS
 - * HOT AND COLD INDEX BUTTONS

- SYSTEM LIMITS
- * TEMP: 40°F MIN. TO 140°F MAX.
 - * PRESSURE 200 PSI MAX. STATIC
 - * 2.20 GPM AT 80 PSI

- SHIPPING WEIGHT
- * 3.0 LBS

ROUGH-IN:

