

APPLICATION:

PRODUCT NAME:  
 FAUCET 8BSLH SWING SPOUT WITH DJ

JOB NAME:

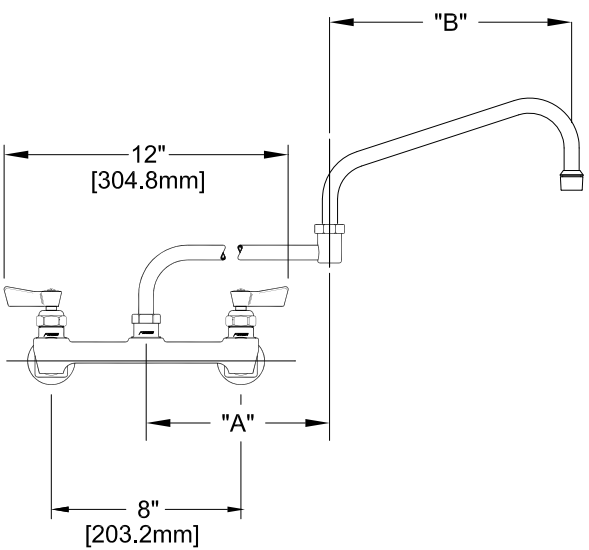
SPECIAL CONFIGURATION  
 CHECK BASE MODEL AND OPTIONS

QUANTITY:

ITEM NO.

MODEL:

- 46515 6" SWING SPOUT WITH 7" DJ
- 46523 8" SWING SPOUT WITH 7" DJ
- 46531 10" SWING SPOUT WITH 7" DJ
- 82740 12" SWING SPOUT WITH 7" DJ
- 46558 14" SWING SPOUT WITH 7" DJ
- 46566 16" SWING SPOUT WITH 7" DJ



OPTIONS OR MODIFICATIONS:

- SUPPLY LINES (24" OR 36") CIRCLE LENGTH
- NIPPLES
- ELBOWS
- HANDLES (CROSS OR WRIST) CIRCLE STYLE
- VANDAL RESISTANT KIT
- OTHER \_\_\_\_\_

FEATURES:

- \* 8" C/C BACKSPLASH MOUNT
- \* SWIVELING SEAT DISKS
- \* HOT SIDE STEM - RIGHT HAND
- \* COLD SIDE STEM - LEFT HAND
- \* STAINLESS STEEL SEATS
- \* STAINLESS STEEL SEAT SCREWS
- \* STAINLESS STEEL HANDLE SCREWS
- \* 1/2" SLIP JOINT

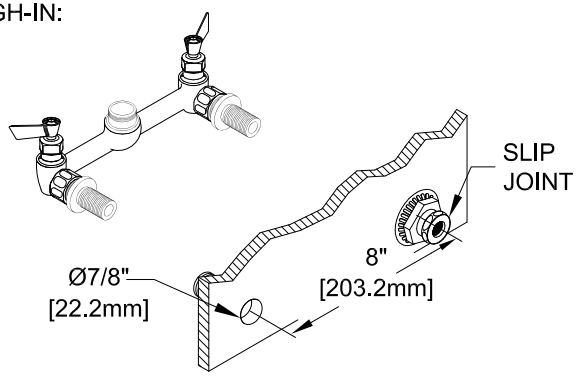
SYSTEM LIMITS

- \* TEMP: 40°F MIN. TO 160°F MAX.
- \* PRESSURE 200 PSI MAX. STATIC
- \* 2.20 GPM AT 60 PSI

SHIPPING WEIGHT  
 \* 5.0 LBS

MODEL	DIM "A"	DIM "B"
46515	7" [177.8mm]	6" [152.4mm]
46523	7" [177.8mm]	8" [203.2mm]
46531	7" [177.8mm]	10" [254mm]
82740	7" [177.8mm]	12" [304.8mm]
46558	7" [177.8mm]	14" [355.6mm]
46566	7" [177.8mm]	16" [406.4mm]

ROUGH-IN:



ANSI/A112.18.1M

**FISHER**  
 FISHER MANUFACTURING COMPANY  
 TOLL FREE: 800-421-6162 - FAX: 800-832-8238  
 information@fisher-mfg.com - www.fisher-mfg.com