

PRODUCT NAME:

8" DECK MOUNT FAUCETS

MODEL:

- 47732 W/ 6" SWING SPOUT W/ 7" DJ & LEVER HANDLES
- 47740 W/ 8" SWING SPOUT W/ 7" DJ & LEVER HANDLES
- 47767 W/ 10" SWING SPOUT W/ 7" DJ & LEVER HANDLES
- 47775 W/ 12" SWING SPOUT W/ 7" DJ & LEVER HANDLES
- 47783 W/ 14" SWING SPOUT W/ 7" DJ & LEVER HANDLES
- 47791 W/ 16" SWING SPOUT W/ 7" DJ & LEVER HANDLES

FEATURES

CONTROL VALVE

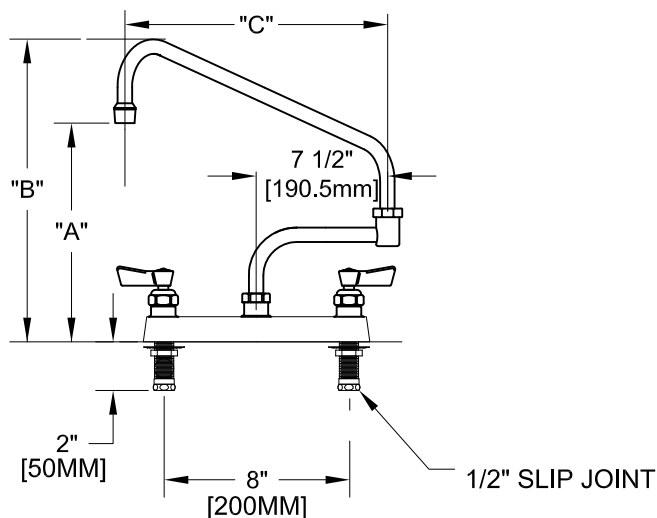
- \* 8" DECK MOUNT
- \* STAINLESS STEEL SEATS
- \* SWIVELLING SEAT DISKS
- \* HOT SIDE STEM - RIGHT HAND
- \* COLD SIDE STEM - LEFT HAND
- \* LEVER HANDLES
- \* SWING SPOUT

SYSTEM LIMITS

- \* TEMP: 40°F MIN. TO 160°F MAX.

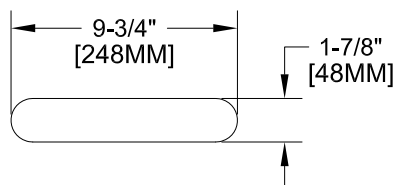
SHIPPING WEIGHT

- \* 5.0 LBS

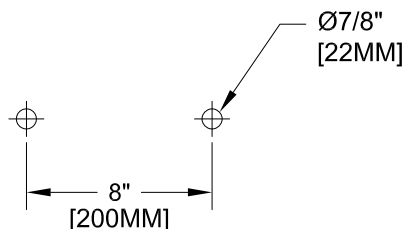


MODELS	DIM "A"	DIM "B"	DIM "C"
47732	5-3/4" [146.05mm]	9-3/8" [244.48mm]	6" [152mm]
47740	6-7/16" [163.51mm]	10-1/16" [255.58mm]	8" [204mm]
47767	7-1/16" [179.38mm]	10-11/16" [271.46mm]	10" [254mm]
47775	7-3/4" [196.85mm]	11-3/8" [295.27mm]	12" [305mm]
47783	8-5/16" [211mm]	11-15/16" [303.21mm]	14" [356mm]
47791	9" [228.6mm]	12-9/16" [319.08mm]	16" [406mm]

FOOTPRINT:



ROUGH-IN:



ANSI/A112.18.1-2011

**FISHER**

FISHER MANUFACTURING COMPANY

TOLL FREE: 800-421-6162 - FAX: 800-832-8238

information@fisher-mfg.com - www.fisher-mfg.com