

APPLICATION:

JOB NAME:

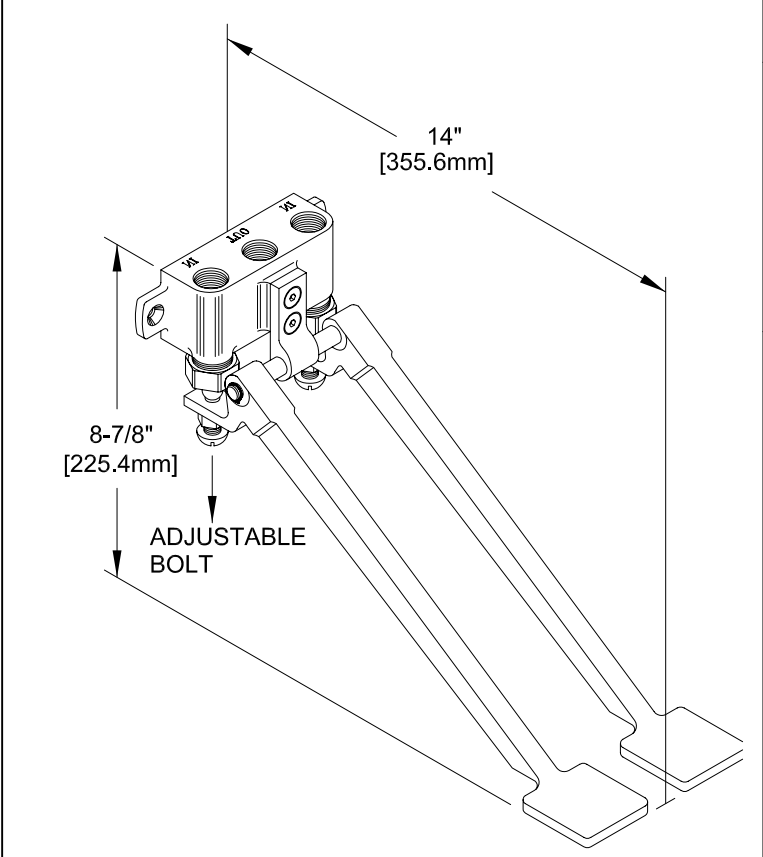
PRODUCT NAME:  
 STAINLESS STEEL DOUBLE PEDAL  
 CONTROL VALVE WALL MOUNT

SPECIAL CONFIGURATION  
 CHECK BASE MODEL AND OPTIONS

QUANTITY:

ITEM NO.

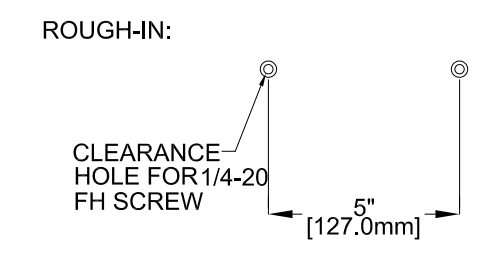
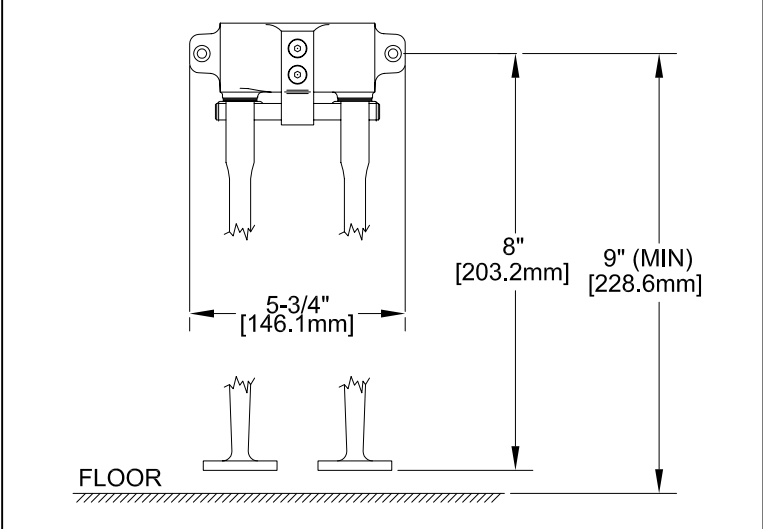
MODEL:  
 48070



OPTIONS OR MODIFICATIONS:  
 SUPPLY LINES (24" OR 36") CIRCLE LENGTH  
 NIPPLES  
 ELBOWS  
 HANDLES (CROSS OR WRIST) CIRCLE STYLE  
 VANDAL RESISTANT KIT  
 OTHER \_\_\_\_\_

**FEATURES**

- \* PEDAL ANODIZED ALUMINUM
  - \* CYLINDER CLOSING WITH WATER FLOW
  - \* POLISHED CHROME
- RECOMMENDED SETTINGS**
- \* 110°F AT 80 PSI
- SYSTEM LIMITS**
- \* TEMP: 40°F MIN. TO 140°F MAX.
  - \* PRESSURE 200 PSI MAX. STATIC
- SHIPPING WEIGHT**
- \* 4.0 LBS
- \* NSF 61-9 APPROVED & LISTED  
[www.truesdail.com](http://www.truesdail.com)



ANSI/A112.18.1M

**FISHER**  
 FISHER MANUFACTURING COMPANY  
 TOLL FREE: 800-421-6162 - FAX: 800-832-8238  
[information@fisher-mfg.com](mailto:information@fisher-mfg.com) - [www.fisher-mfg.com](http://www.fisher-mfg.com)