

APPLICATION:

PRODUCT NAME:  
**FAUCET 4BSWH**

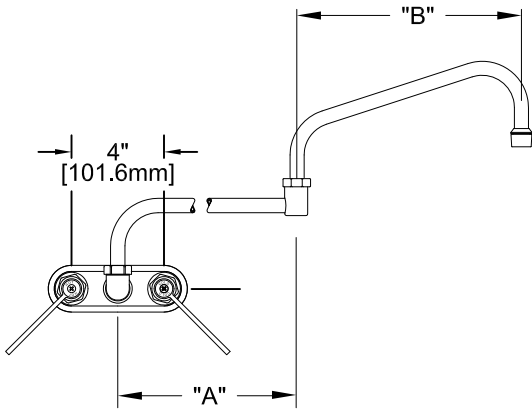
JOB NAME:

\_\_\_\_\_ SPECIAL CONFIGURATION  
CHECK BASE MODEL AND OPTIONS

QUANTITY:

ITEM NO.

- MODEL:
- 48607 W/6" SWING SPOUT WITH WRIST HANDLES
  - 48615 W/8" SWING SPOUT WITH WRIST HANDLES
  - 48623 W/10" SWING SPOUT WITH WRIST HANDLES
  - 48631 W/12" SWING SPOUT WITH WRIST HANDLES
  - 48658 W/14" SWING SPOUT WITH WRIST HANDLES
  - 48666 W/16" SWING SPOUT WITH WRIST HANDLES



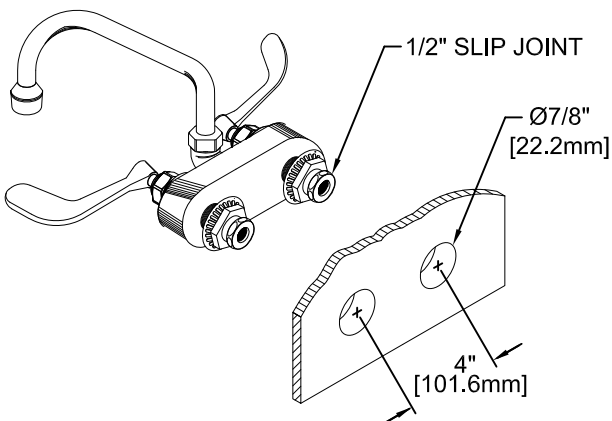
- OPTIONS OR MODIFICATIONS:
- SUPPLY LINES (24" OR 36") CIRCLE LENGTH
  - DJ SUB-ASSY (7-1/4" OR 13") CIRCLE LENGTH
  - ELBOWS
  - VANDAL RESISTANT KIT
  - HANDLES (CROSS OR WRIST) CIRCLE STYLE
  - OTHER \_\_\_\_\_

MODEL	DIM "A"	DIM "B"
48607	7" [177.8mm]	6" [152.4mm]
48615	7" [177.8mm]	8" [203.2mm]
48623	7" [177.8mm]	10" [254mm]
48631	7" [177.8mm]	12" [304.8mm]
48658	7" [177.8mm]	14" [355.6mm]
48666	7" [177.8mm]	16" [406.4mm]

- FEATURES:
- \* 4" C/C BACKSPLASH
  - \* SWIVELLING SEAT DISKS
  - \* HOT SIDE STEM - RIGHT HAND
  - \* COLD SIDE STEM - LEFT HAND
  - \* STAINLESS STEEL SEATS
  - \* STAINLESS STEEL SEAT SCREWS
  - \* STAINLESS STEEL HANDLE SCREWS
  - \* 1/2" SLIP JOINT
- SYSTEM LIMITS
- \* TEMP: 40°F MIN. TO 160°F MAX.
  - \* PRESSURE 200 PSI MAX. STATIC
  - \* 2.20 GPM AT 80 PSI

SHIPPING WEIGHT  
\* 4.25 LBS

ROUGH-IN:



**FISHER**

FISHER MANUFACTURING COMPANY  
TOLL FREE: 800-421-6162 - FAX: 800-832-8238  
information@fisher-mfg.com - www.fisher-mfg.com

**WARNING:**  
Proposition 65 requires that we provide you with the following notice: "This product Contains A Chemical Known To The State Of California To Cause Cancer Or Birth Defects Or Other Reproductive Harm."



ANSI/A112.18.1M