

APPLICATION:

PRODUCT NAME:  
ADJ. WALL, DJ SWING SPOUT

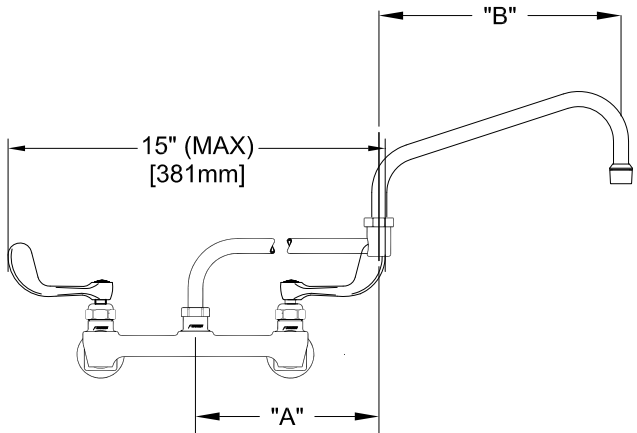
JOB NAME:

SPECIAL CONFIGURATION  
 CHECK BASE MODEL AND OPTIONS

QUANTITY:

ITEM NO.

- MODEL:
- 48739 6" SWING SPOUT WITH 7" DJ
  - 48747 8" SWING SPOUT WITH 7" DJ
  - 48755 10" SWING SPOUT WITH 7" DJ
  - 48763 12" SWING SPOUT WITH 7" DJ
  - 48771 14" SWING SPOUT WITH 7" DJ
  - 48798 16" SWING SPOUT WITH 7" DJ



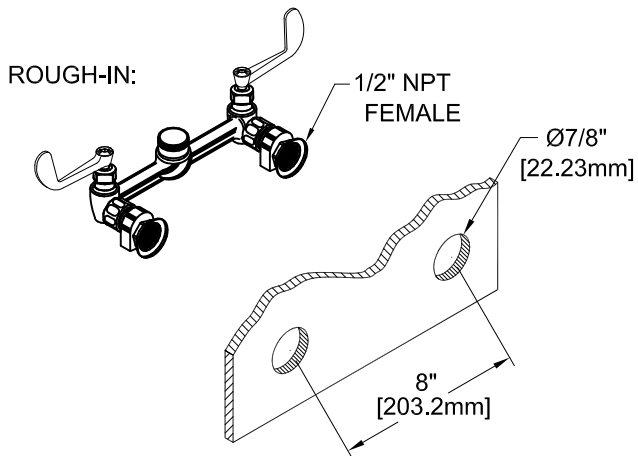
← 7-1/2" - 8-1/2" →  
[190.5mm-215.9mm]

MODEL	DIM "A"	DIM "B"
48739	7" [177.8mm]	6" [152.4mm]
48747	7" [177.8mm]	8" [203.2mm]
48755	7" [177.8mm]	10" [254mm]
48763	7" [177.8mm]	12" [304.8mm]
48771	7" [177.8mm]	14" [355.6mm]
48798	7" [177.8mm]	16" [406.4mm]

- OPTIONS OR MODIFICATIONS:
- SUPPLY LINES (24" OR 36") CIRCLE LENGTH
  - NIPPLES
  - ELBOWS
  - HANDLES (CROSS OR WRIST) CIRCLE STYLE
  - VANDAL RESISTANT KIT
  - OTHER \_\_\_\_\_

- FEATURES:
- \* ECCENTRICS ADJUST FROM 7-1/2" TO 8-1/2"
  - \* INTERNAL SPRING LOADED CHECK VALVES
  - \* SWIVELLING SEAT DISKS
  - \* HOT SIDE STEM - RIGHT HAND, COLD - LEFT HAND
  - \* SPOUT STEM - RIGHT HAND
  - \* STAINLESS STEEL SEAT SCREWS
  - \* STAINLESS STEEL HANDLE SCREWS
- SYSTEM LIMITS
- \* TEMP: 40°F MIN. TO 140°F MAX.
  - \* PRESSURE 200 PSI MAX. STATIC
  - \* 5.00 GPM @ 80 PSI
- SHIPPING WEIGHT
- \* 5.0 LBS

ROUGH-IN:



ANSI/A112.18.1M

FISHER

FISHER MANUFACTURING COMPANY  
TOLL FREE: 800-421-6162 - FAX: 800-832-8238  
information@fisher-mfg.com - www.fisher-mfg.com