

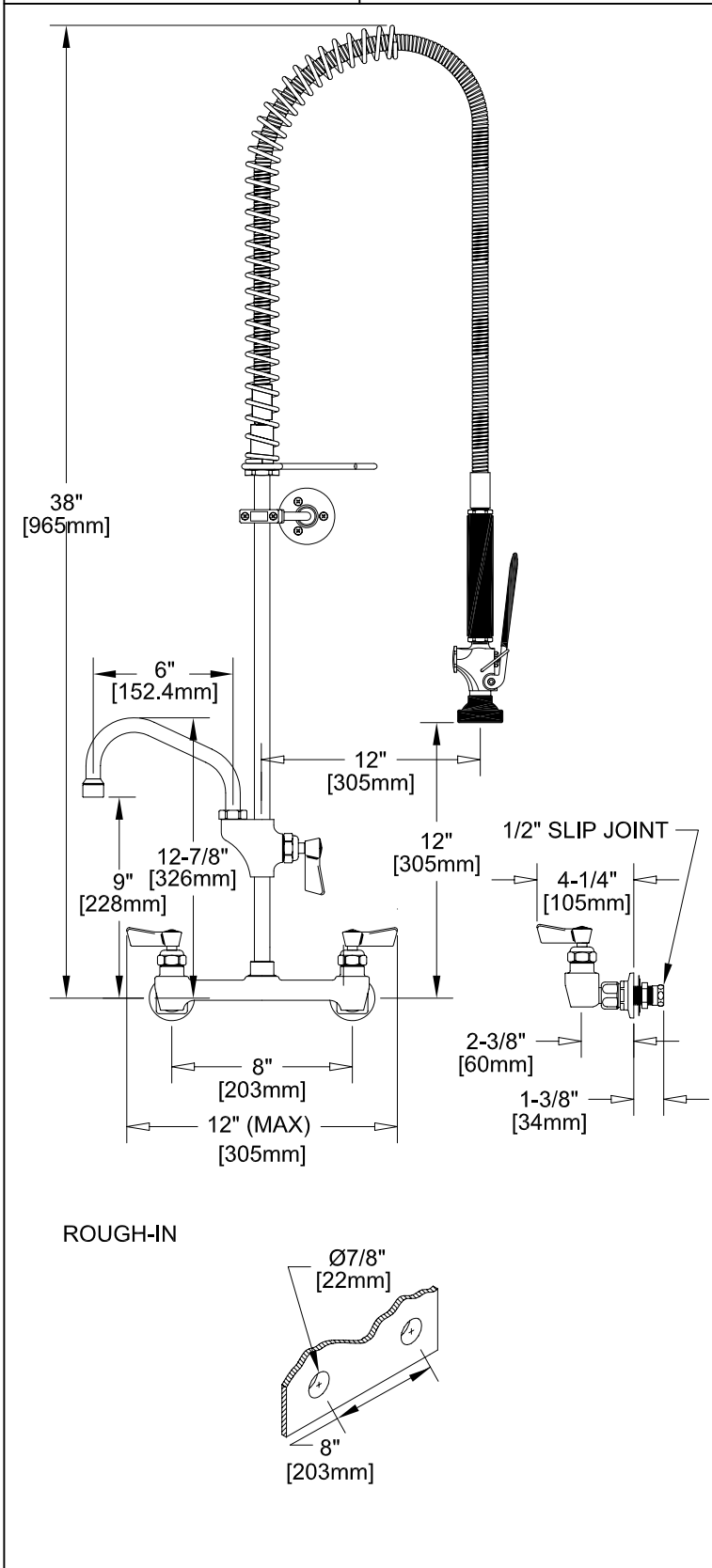
APPLICATION:

JOB NAME:

QUANTITY: ITEM NO.

PRODUCT NAME:
 8" C/C BACKSPLASH MOUNT PRE-RINSE
 SPRING STYLE WITH ADD-ON FAUCET

MODEL:
 48887 WITH 6" SWING SPOUT



- OPTIONS OR MODIFICATIONS:
- SUPPLY LINES (24" OR 36") CIRCLE LENGTH
 - IN-LINE DUAL CHECK VALVE
 - BRUSH
 - HANDLES (CROSS OR WRIST) CIRCLE STYLE
 - VANDAL RESISTANT KIT
 - OTHER EZ INSTALL ADAPTERS

- FEATURES
- MAIN CONTROL VALVE
- * 8" C/C BACKSPLASH MOUNT
 - * INTERNAL SPRING LOADED CHECK VALVES
 - * SWIVELLING SEAT DISKS
 - * HOT SIDE STEM - RIGHT HAND CHECK
 - * COLD SIDE STEM - LEFT HAND CHECK
 - * STAINLESS STEEL SEATS, SEAT SCREWS, AND HANDLE SCREWS

- HOSE
- * 36" LENGTH
 - * STAINLESS STEEL END FITTINGS
 - * STAINLESS STEEL EXTERNAL JACKET
 - * 3-PLY FIBER REINFORCED INTERNAL RUBBER HOSE
 - * REPAIRABLE IN-FIELD WITH SIMPLE TOOLS

- ULTRA SPRAY VALVE
- * LOWEST ENERGY USER - 1.15 GPM @ 60 PSI
 - * CLEANS FASTER - TEST PROVEN
 - * ENGINEERED TO LAST - NO 'O' RINGS TO LEAK
 - * INTERCHANGEABLE - FITS ALL BRANDS

- WAL BRACKET
- * ADJUSTS FROM 2" TO 12"

- SYSTEM LIMITS
- * TEMP: 40°F MIN. TO 140°F MAX.
 - * PRESSURE: 200 PSI MAX. STATIC

- SHIPPING WEIGHT
- * 15.0 LBS

FISHER
 FISHER MANUFACTURING COMPANY
 TOLL FREE: 800-421-6162 - FAX: 800-832-8238
 information@fisher-mfg.com - www.fisher-mfg.com