

APPLICATION:

JOB NAME:

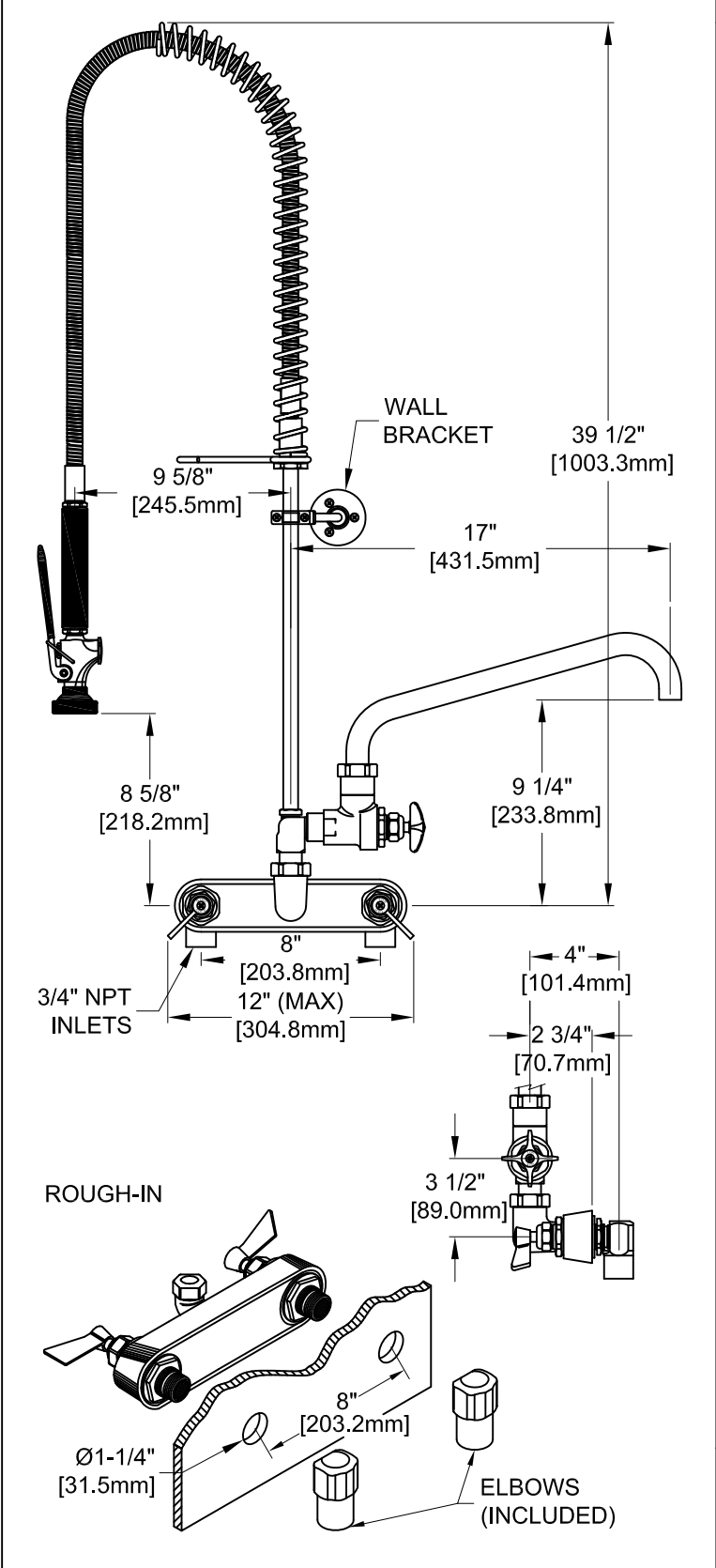
QUANTITY: ITEM NO.

PRODUCT NAME: STAINLESS STEEL
PRE-RINSE 8" C/C BACKSPLASH MOUNT
3/4" FAUCET WITH ADD-ON FAUCET

MODEL:

49522 10" ADD-ON FAUCET/ W WALL BRACKET

49875 14" ADD-ON FAUCET/ W WALL BRACKET



FEATURES:

3/4" MAIN CONTROL VALVE

- * 8" C/C BACKSPLASH FAUCET
- * 3/4" NPT INLETS
- * SWIVELLING SEAT DISKS
- * HOT SIDE STEM - LEFT HAND
- * COLD SIDE STEM - RIGHT HAND
- * STAINLESS STEEL SEATS
- * STAINLESS STEEL SEAT SCREWS
- * STAINLESS STEEL HANDLE SCREWS
- * CLOSE ELBOWS

ADD-ON FAUCET

- * STEM - RIGHT HAND SWIVEL
- * COLD INDEX BUTTON
- * FULL 3/4" SEAT OPENING
- * SWIVELING SEAT DISKS
- * STAINLESS STEEL SEATS
- * STAINLESS STEEL SEAT SCREWS
- * STAINLESS STEEL HANDLE SCREWS
- * SPOUT WITH 1" DIAMETER OUTLET
- * FLOW RATE: 37.0 GPM AT 80 PSI

HOSE

- * 36" LENGTH
- * STAINLESS STEEL END FITTINGS
- * STAINLESS STEEL EXTERNAL JACKET
- * 3-PLY FIBER REINFORCED INTERNAL RUBBER HOSE

ULTRA SPRAY VALVE

- * LOWEST ENERGY USER - 1.15 GPM @ 60 PSI
- * CLEANS FASTER - TEST PROVEN
- * ENGINEERED TO LAST - NO 'O' RINGS TO LEAK
- * INTERCHANGEABLE - FITS ALL BRANDS

WALL BRACKET

- * ADJUSTS FROM 2" TO 12"

SYSTEM LIMITS

- * TEMP: 40°F MIN. TO 140°F MAX.
- * PRESSURE 200 PSI MAX. STATIC

SHIPPING WEIGHT

- * 18.0 LBS

EPAct 2005 Compliant ANSI/A112.18.1M

FISHER
FISHER MANUFACTURING COMPANY
TOLL FREE: 800-421-6162 - FAX: 800-832-8238
information@fisher-mfg.com - www.fisher-mfg.com