

APPLICATION:

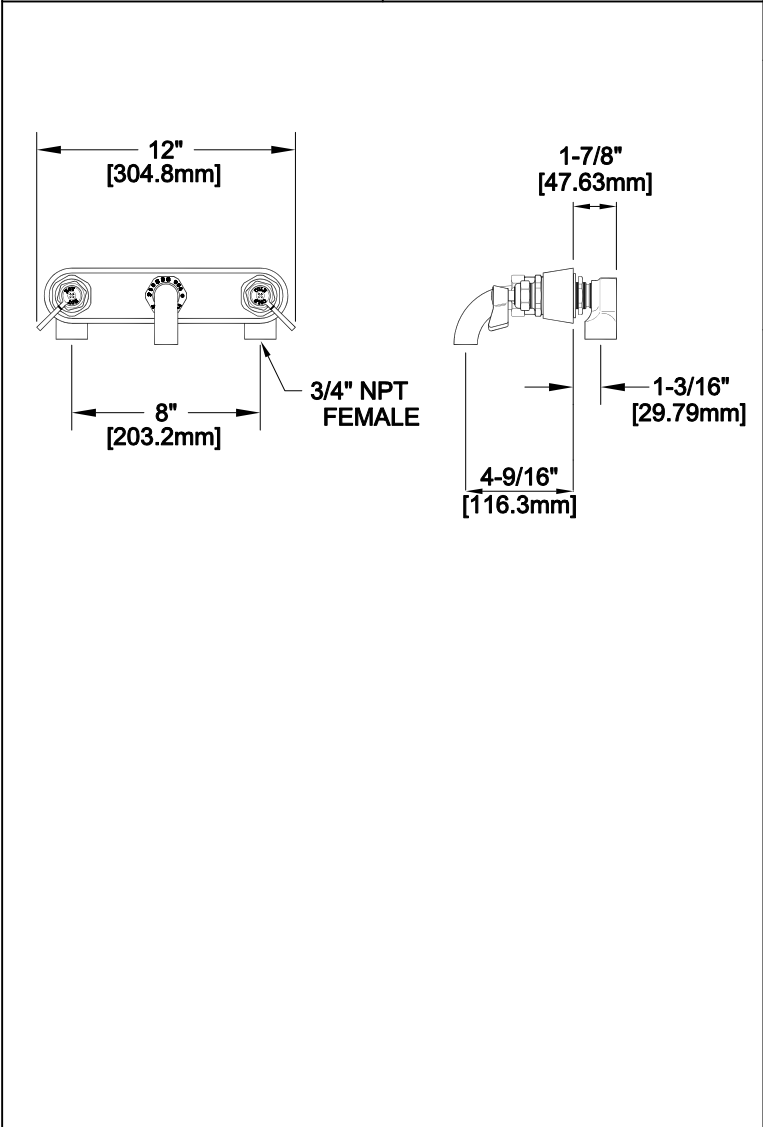
JOB NAME:

QUANTITY: _____ **ITEM NO.:** _____

PRODUCT NAME:

ADJ. WALL POT FILLER W/DJ SPOUT

_____ **SPECIAL CONFIGURATION**
CHECK BASE MODEL AND OPTIONS



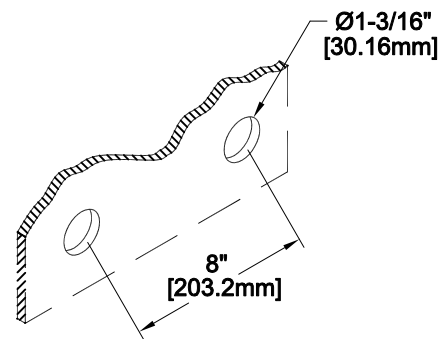
MODEL:

5010

- OPTIONS OR MODIFICATIONS:**
- SUPPLY LINES (24" OR 36") CIRCLE LENGTH
 - NIPPLES
 - ELBOWS
 - HANDLES (CROSS OR WRIST) CIRCLE STYLE
 - VANDAL RESISTANT KIT
 - OTHER _____

- FEATURES:**
- * 8" BACKSPLASH
 - * SWIVELLING SEAT DISKS
 - * HOT SIDE STEM - LEFT HAND, COLD - RIGHT HAND
 - * STAINLESS STEEL SEATS
 - * STAINLESS STEEL SEAT SCREWS
 - * STAINLESS STEEL HANDLE SCREWS
 - * TURN DOWN SPOUT
- RECOMMENDED SETTINGS**
- * 110°F AT 80 PSI
- SYSTEM LIMITS**
- * TEMP: 40°F MIN. TO 140°F MAX.
 - * PRESSURE 200 PSI MAX. STATIC
 - * 37 GPM @ 80 PSI
- SHIPPING WEIGHT**
- * 6.0 LBS

ROUGH-IN:



FISHER
FISHER MANUFACTURING COMPANY
TOLL FREE: 800-421-6162 - FAX: 800-832-8238
information@fisher-mfg.com - www.fisher-mfg.com