

APPLICATION:

JOB NAME:

PRODUCT NAME:

SINGLE DECK FAUCET

SPECIAL CONFIGURATION
CHECK BASE MODEL AND OPTIONS

QUANTITY:

ITEM NO.

MODEL:

5012 W/10" SWING SPOUT

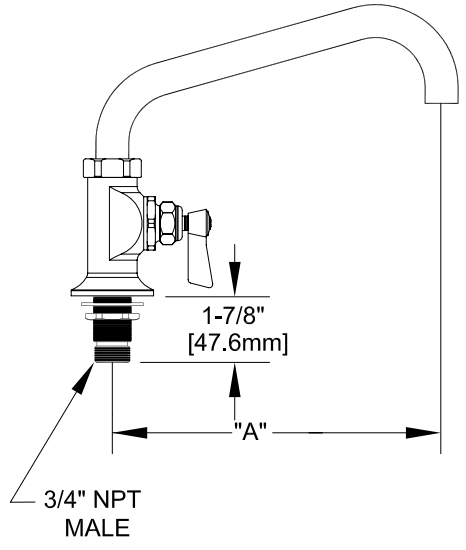
5014 W/14" SWING SPOUT

OPTIONS OR MODIFICATIONS:

VANDAL RESISTANT KIT

HANDLES (CROSS OR WRIST) CIRCLE STYLE

OTHER _____



| MODEL | DIM "A" |
|-------|------------------|
| 5012 | 10" [254.0mm] |
| 5014 | 14" [355.6mm] |

FEATURES

CONTROL VALVE

- * SINGLE DECK
- * STEM - LEFT HAND
- * HOT AND COLD INDEX BUTTONS
- * SWIVELLING SEAT DISK
- * STAINLESS STEEL SEAT
- * STAINLESS STEEL SEAT SCREW
- * STAINLESS STEEL HANDLE SCREW

RECOMMENDED SETTINGS

- * 110°F AT 80 PSI

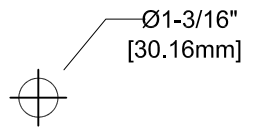
SYSTEM LIMITS


- * TEMP: 40°F MIN. TO 140°F MAX.
- * PRESSURE: 200 PSI MAX. STATIC
- * 29 GPM @ 80 PSI

SHIPPING WEIGHT

- * 7.0 LBS

ROUGH-IN:



 ANSI/A112.18.1M



FISHER

FISHER MANUFACTURING COMPANY

TOLL FREE: 800-421-6162 - FAX: 800-832-8238

information@fisher-mfg.com - www.fisher-mfg.com