

PRODUCT NAME: STAINLESS STEEL
WALL MOUNT FAUCET WITH DJ SWING SPOUT

MODEL:
 48518 W/ LEVER HANDLES
 48879 W/ WRIST HANDLES

FEATURES

CONTROL VALVE

- * ECCENTRICS ADJUST FROM 7-1/2" TO 8-1/2"
- * INTERNAL SPRING LOADED CHECK VALVES
- * HOT SIDE STEM - RIGHT HAND
- * COLD SIDE STEM - LEFT HAND
- * SWIVELLING SEAT DISKS
- * STAINLESS STEEL SEATS
- * STAINLESS STEEL SEAT SCREWS
- * STAINLESS STEEL HANDLE SCREWS
- * SHUT-OFF SPOUT

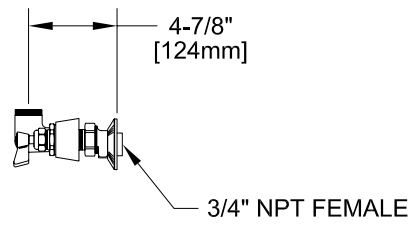
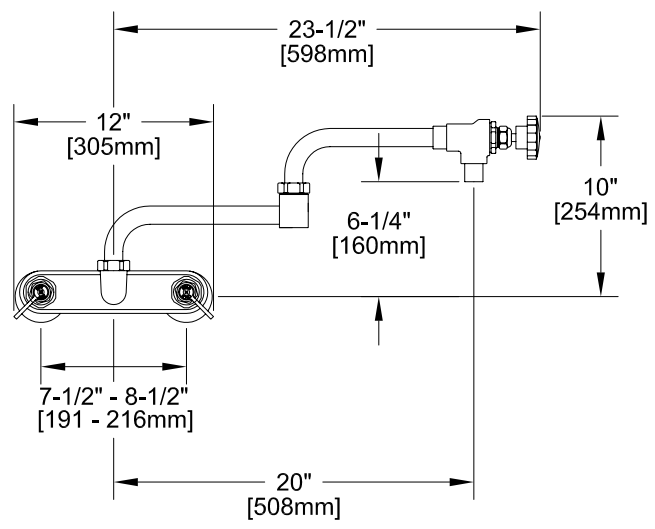
SYSTEM LIMITS

- * TEMP: 40°F MIN. TO 140°F MAX.
- * PRESSURE: 200 PSI MAX. STATIC
- * 29 GPM AT 80 PSI

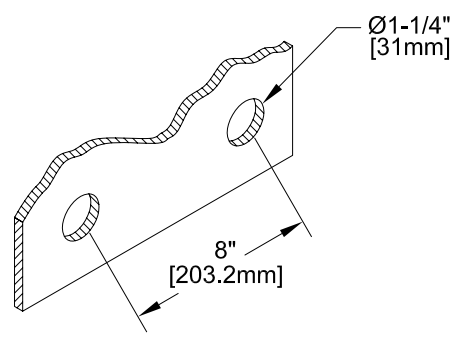
SHIPPING WEIGHT

- * 10.0 LBS

* NSF 61-9 APPROVED & LISTED
www.truesdail.com



ROUGH-IN:



ANSI/A112.18.1-2005

FISHER

FISHER MANUFACTURING COMPANY
 TOLL FREE: 800-421-6162 - FAX: 800-832-8238
information@fisher-mfg.com - www.fisher-mfg.com