

APPLICATION:

PRODUCT NAME:
8" C/C BACKSPLASH FAUCET

JOB NAME:

SPECIAL CONFIGURATION
 CHECK BASE MODEL AND OPTIONS

QUANTITY:

ITEM NO.

MODEL:
 5412 WITH 10" SWING SPOUT
 5414 WITH 14" SWING SPOUT

OPTIONS OR MODIFICATIONS:
 HANDLES (CROSS OR WRIST) CIRCLE STYLE
 VANDAL RESISTANT KIT
 OTHER _____

FEATURES

- * 8" BACKSPLASH
- * SWIVELLING SEAT DISKS
- * HOT SIDE STEM - LEFT HAND
- * COLD SIDE STEM - RIGHT HAND
- * STAINLESS STEEL SEATS
- * STAINLESS STEEL SEAT SCREWS
- * STAINLESS STEEL HANDLE SCREWS
- * CLOSE ELBOWS

RECOMMENDED SETTINGS

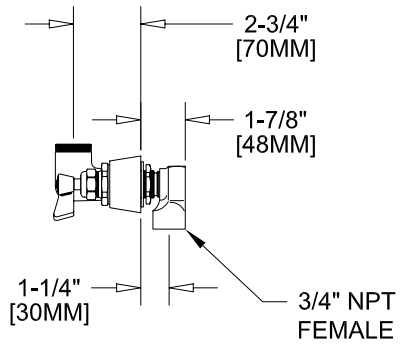
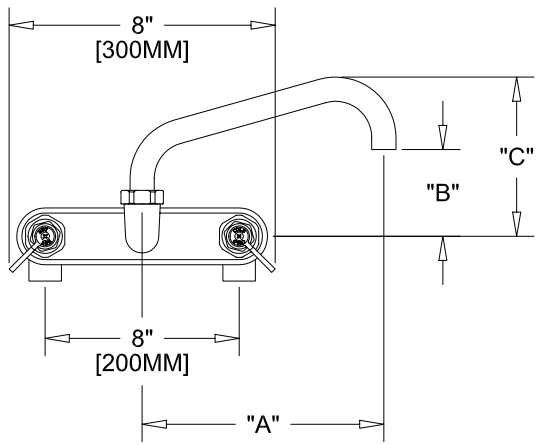
- * 110°F AT 80 PSI

SYSTEM LIMITS

- * TEMP: 40°F MIN. TO 140°F MAX.
- * PRESSURE: 200 PSI MAX. STATIC
- * 37 GPM AT 80 PSI

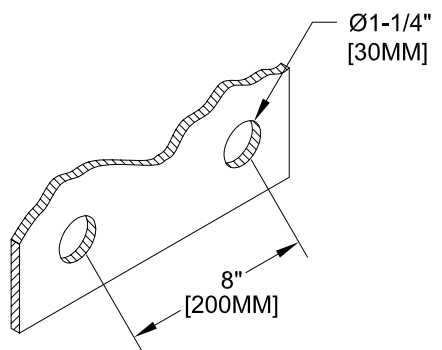
SHIPPING WEIGHT

- * 9.0 LBS



MODEL	DIM "A"	DIM "B"	DIM "C"
5412	10" [250MM]	3-5/8" [92MM]	6-5/8" [168MM]
5414	14" [350MM]	4-3/4" [120MM]	7-3/4" [197MM]

ROUGH-IN:



FISHER
FISHER MANUFACTURING COMPANY
TOLL FREE: 800-421-6162 - FAX: 800-832-8238
information@fisher-mfg.com - www.fisher-mfg.com