

Swing Spout Installation Instructions

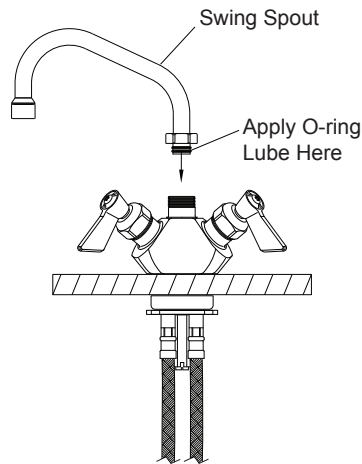
Step 1.

Apply O-ring lube to the O-rings on the swing spout. Make sure the white snap ring is in place before mounting the swing spout. Mount the swing spout and tighten the swing spout nut onto the faucet spout outlet.

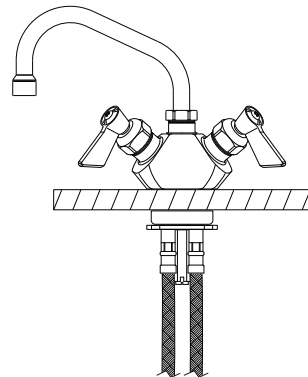
Step 2.

Turn on water supply and check for leaks.

Step 1



Step 2



FISHER
FISHER MANUFACTURING COMPANY

Stainless Steel Single Deck Dual Control Faucets Product Installation Guide

Since 1936, Fisher Manufacturing Company has manufactured heavy-duty, high quality plumbing products and hardware specialties for the food service industry. For three generations, the Fisher family has adhered to a strict dedication of overall value. When you install Fisher products... you install the best. Our hardware is manufactured with the standardization of internal mechanisms. Every piece of equipment we make is rigorously tested in both our modern in-house testing center and in actual field situations under extreme conditions. Every detail is thoroughly checked. Before we make our products available to you, they pass each and every test. You get proven performance. Guaranteed.

Limited One Year Warranty

Fisher Manufacturing Company warrants its products and parts thereof (except as noted below) against defects in materials or workmanship for a period of one year after the date of original purchase. During this period Fisher Manufacturing Company will replace a defective product or part without charge to you, provided that the entire product is delivered to Fisher Manufacturing Company. All transportation and insurance charges for shipping the product to and from Fisher Manufacturing Company must be borne by you. Charges for transportation and insurance may, at the option of Fisher Manufacturing Company, be refunded depending upon our investigation of the warranty claim. This warranty does not cover external finish (except at date of original purchase) or labor costs not specifically authorized by Fisher Manufacturing Company.

A full and complete copy of our One Year limited warranty is available upon request.

WARNING:

Proposition 65 requires that we provide you with the following notice: "This product Contains A Chemical Known To The State Of California To Cause Birth Defects Or Other Reproductive Harm."



Lever Handles

52760 - Single Deck Dual Control Faucet 6" Swing Spout
52779 - Single Deck Dual Control Faucet 8" Swing Spout
52787 - Single Deck Dual Control Faucet 10" Swing Spout
52795 - Single Deck Dual Control Faucet 12" Swing Spout
52809 - Single Deck Dual Control Faucet 14" Swing Spout
52817 - Single Deck Dual Control Faucet 16" Swing Spout

Wrist Handles

57266 - Single Deck Dual Control Faucet 6" Swing Spout
57274 - Single Deck Dual Control Faucet 8" Swing Spout
57282 - Single Deck Dual Control Faucet 10" Swing Spout
57290 - Single Deck Dual Control Faucet 12" Swing Spout
57304 - Single Deck Dual Control Faucet 14" Swing Spout
57312 - Single Deck Dual Control Faucet 16" Swing Spout

FISHER
MANUFACTURING COMPANY
PO BOX 60, TULARE, CA 93275
(800)421-6162, FAX: (800)832-8238
www.fisher-mfg.com



Installation Instructions for Stainless Steel Single Deck Dual Control

BE SURE TO CHECK WITH YOUR LOCAL DEPARTMENT HAVING JURISDICTION REGARDING BACKFLOW PREVENTION.

Installation Notes:

- Be sure water supply is shut-off before beginning.
- Use pipe thread sealant on all threaded joints such as PST or Teflon tape.
- Check the packaging for missing items BEFORE beginning installation. If items are missing, contact your supplier.

Items needed for Installation:

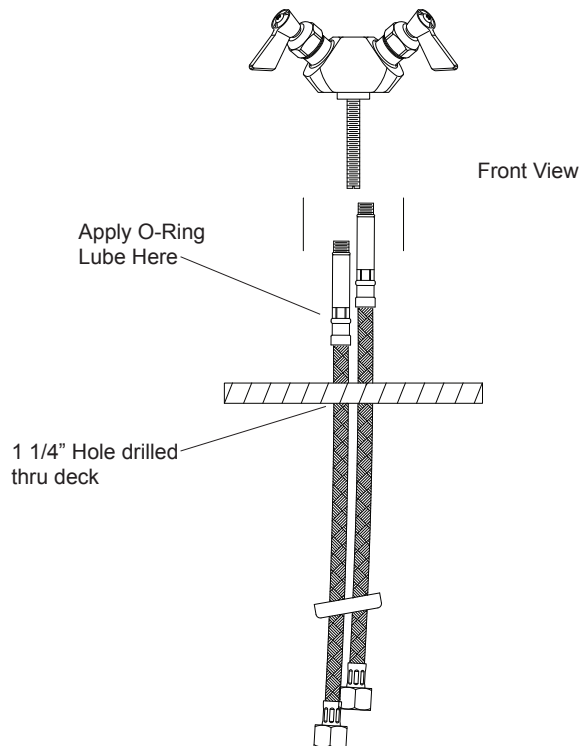
- 1 - Medium Sized Crescent Wrenches
- 1 - Plumbers Tape or Pipe Thread Sealant
- 1 - Medium Sized Slotted Screwdriver

Single Deck Dual Control Installation Instructions

Step 1.

After unpacking items and checking for missing components, insert threaded shank into control valve body and tighten using screwdriver. Insert both hoses through cup washer and up through pre-drilled 1 1/4" hole in deck. Apply lube to o-rings and attach hoses securely to control valve.

Step 1



Continued Single Deck Dual Control Installation Instructions

Step 2.

Lift up the cup washer to the underside of the deck and mount horseshoe washer onto threaded shank. Mount the nut to the threaded shank and tighten until control valve is secure.

Step 2

