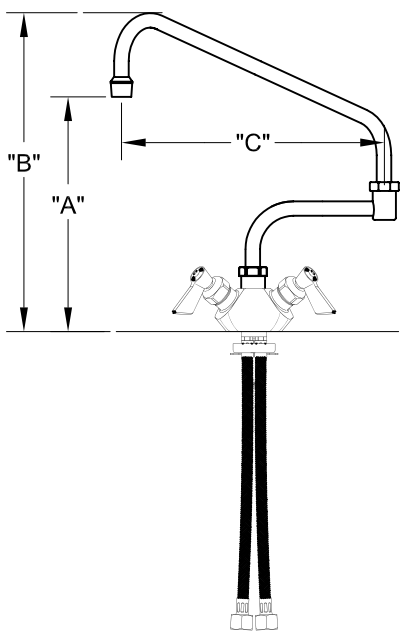
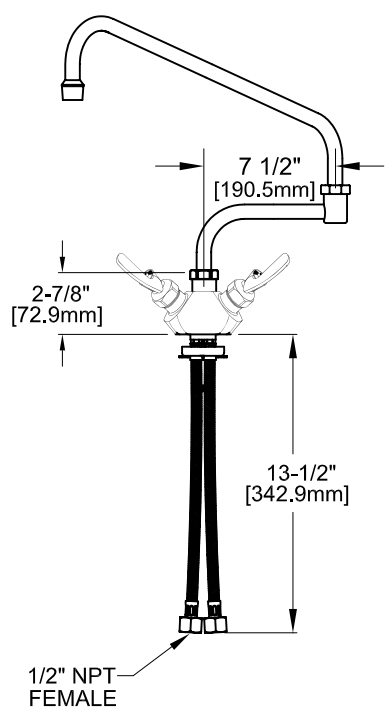


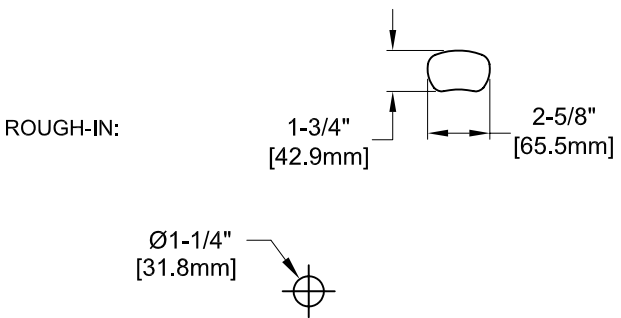
SINGLE DECK DUAL CONTROL FAUCET W/ LEVER HANDLES



SINGLE DECK DUAL CONTROL FAUCET W/ WRIST HANDLES



FOOTPRINT:



ANSI/A112.18.1-2005

PRODUCT NAME: STAINLESS STEEL SINGLE DECK DUAL CONTROL FAUCET

- MODEL:
- 52825 W/ 6" SWING SPOUT W/ 7" DJ & LEVER HANDLES
 - 52833 W/ 8" SWING SPOUT W/ 7" DJ & LEVER HANDLES
 - 52841 W/ 10" SWING SPOUT W/ 7" DJ & LEVER HANDLES
 - 52868 W/ 12" SWING SPOUT W/ 7" DJ & LEVER HANDLES
 - 52876 W/ 14" SWING SPOUT W/ 7" DJ & LEVER HANDLES
 - 52884 W/ 16" SWING SPOUT W/ 7" DJ & LEVER HANDLES
 - 57320 W/ 6" SWING SPOUT W/ 7" DJ & WRIST HANDLES
 - 57339 W/ 8" SWING SPOUT W/ 7" DJ & WRIST HANDLES
 - 57347 W/ 10" SWING SPOUT W/ 7" DJ & WRIST HANDLES
 - 57355 W/ 12" SWING SPOUT W/ 7" DJ & WRIST HANDLES
 - 57363 W/ 14" SWING SPOUT W/ 7" DJ & WRIST HANDLES
 - 57371 W/ 16" SWING SPOUT W/ 7" DJ & WRIST HANDLES

- FEATURES
- CONTROL VALVE
- * SINGLE DECK DUAL CONTROL
 - * STAINLESS STEEL CONSTRUCTION
 - * SWIVELLING SEAT DISKS
 - * HOT SIDE STEM - RIGHT HAND
 - * COLD SIDE STEM - LEFT HAND
 - * LEVER HANDLES OR WRIST HANDLES
 - * STAINLESS STEEL BRAIDED HOSE
- SYSTEM LIMITS
- * TEMP: 40°F MIN. TO 140°F MAX. STATIC
 - * PRESSURE 200 PSI MAX.
 - * 2.20 GPM AT 80 PSI

SHIPPING WEIGHT

- * 4.75 LBS

* NSF 61-9 APPROVED & LISTED
www.truesdail.com

| MODELS | DIM "A" | DIM "B" | DIM "C" |
|----------------|-----------------------|------------------------|----------------|
| 52825 57320 | 6-1/8" [155.5mm] | 9-3/4" [247.6mm] | 6" [152mm] |
| 52833 57339 | 6-13/16" [173mm] | 10-7/16" [265.1mm] | 8" [204mm] |
| 52841 57347 | 7-7/16" [188.9mm] | 11-1/16" [280.9mm] | 10" [254mm] |
| 52868 57355 | 8-1/8" [206.3mm] | 11-3/4" [298.4mm] | 12" [305mm] |
| 52876 57363 | 8-11/16" [220.6mm] | 12-5/16" [312.7mm] | 14" [356mm] |
| 52884 57371 | 9-3/8" [238.1mm] | 12-15/16" [328.6mm] | 16" [406mm] |

FISHER
 FISHER MANUFACTURING COMPANY
 TOLL FREE: 800-421-6162 - FAX: 800-832-8238
 information@fisher-mfg.com - www.fisher-mfg.com