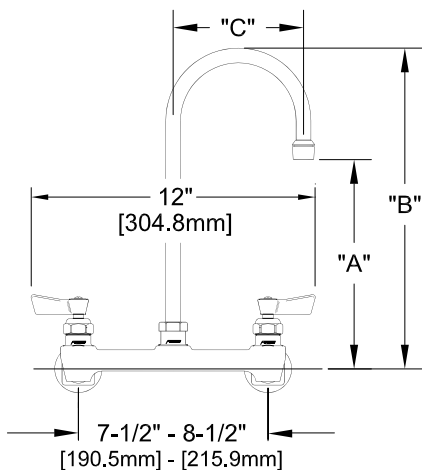
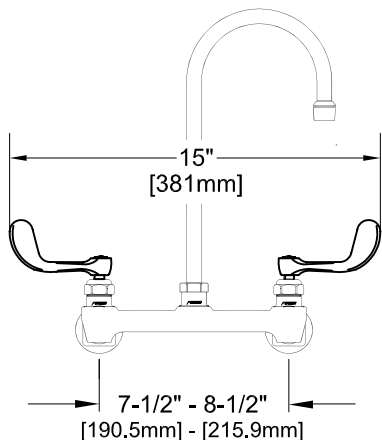


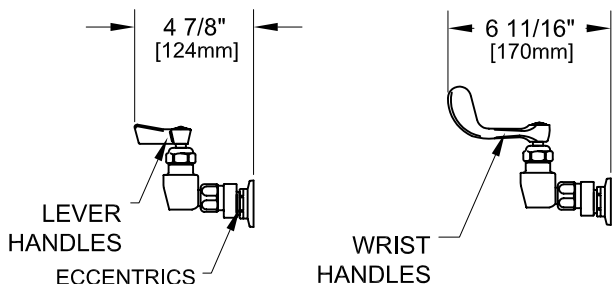
7-1/2" - 8-1/2" ADJ. WALL W/ LEVER HANDLES



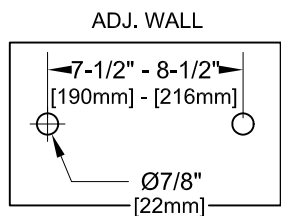
7-1/2" - 8-1/2" ADJ. WALL W/ WRIST HANDLES



7-1/2" - 8-1/2" ADJ. WALL



ROUGH-IN:



ANSI/A112.18.1-2005

PRODUCT NAME:

STAINLESS STEEL ADJUSTABLE WALL FAUCET WITH SWIVEL / RIGID GOOSENECK SPOUT

MODEL:

- 53260 W/ 6" SWIVEL/RIGID GOOSENECK SPOUT W/ LEVER HANDLES
- 53279 W/ 12" SWIVEL/RIGID GOOSENECK SPOUT W/ LEVER HANDLES
- 57584 W/ 6" SWIVEL/RIGID GOOSENECK SPOUT W/ WRIST HANDLES
- 57592 W/ 12" SWIVEL/RIGID GOOSENECK SPOUT W/ WRIST HANDLES

FEATURES

CONTROL VALVE

- \* 7-1/2" - 8-1/2" ADJUSTABLE WALL MOUNT
- \* ECCENTRICS
- \* STAINLESS STEEL CONSTRUCTION
- \* SWIVELLING SEAT DISKS
- \* HOT SIDE STEM - RIGHT HAND
- \* COLD SIDE STEM - LEFT HAND
- \* LEVER HANDLES OR WRIST HANDLES
- \* GOOSENECK SPOUT

SYSTEM LIMITS

- \* TEMP: 40°F MIN. TO 140°F MAX.
- \* 2.20 GPM @ 60 PSI

SHIPPING WEIGHT

- \* 3.5 LBS

\* NSF 61-9 APPROVED & LISTED

[www.trueddail.com](http://www.trueddail.com)

MODELS	DIM "A"	DIM "B"	DIM "C"
53260 57584	4-1/2" [114.3mm]	8-1/16" [204.8mm]	3-1/2" [88.90mm]
53279 57592	8-1/4" [209.6mm]	12-1/4" [311.2mm]	5-1/2" [139.7mm]



FISHER MANUFACTURING COMPANY

TOLL FREE: 800-421-6162 - FAX: 800-832-8238

[information@fisher-mfg.com](mailto:information@fisher-mfg.com) - [www.fisher-mfg.com](http://www.fisher-mfg.com)