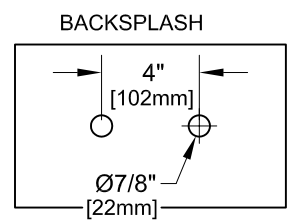
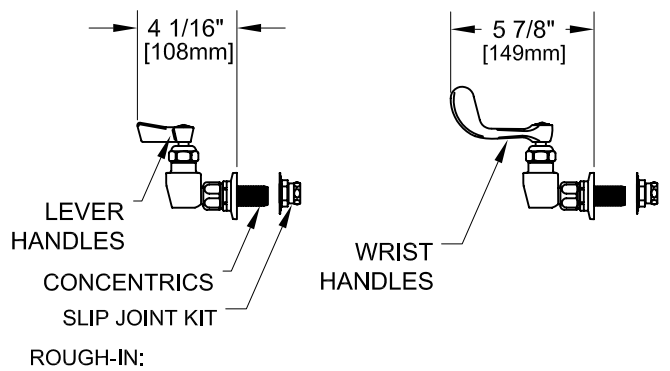


8" C/C BACKSPASH FAUCET



PRODUCT NAME: STAINLESS STEEL
4" BACKSPASH PRE-RINSE WITH ADD-ON

MODEL:

- 53902 6" SWING SPOUT W/ LEVER HANDLES
- 53910 8" SWING SPOUT W/ LEVER HANDLES
- 53929 10" SWING SPOUT W/ LEVER HANDLES
- 53937 12" SWING SPOUT W/ LEVER HANDLES
- 53945 14" SWING SPOUT W/ LEVER HANDLES
- 53953 16" SWING SPOUT W/ LEVER HANDLES
- 74977 6" SWING SPOUT W/ WRIST HANDLES
- 74985 8" SWING SPOUT W/ WRIST HANDLES
- 74993 10" SWING SPOUT W/ WRIST HANDLES
- 75000 12" SWING SPOUT W/ WRIST HANDLES
- 75019 14" SWING SPOUT W/ WRIST HANDLES
- 75027 16" SWING SPOUT W/ WRIST HANDLES

FEATURES:

CONTROL VALVE

- * 4" C/C BACKSPASH MOUNT
- * CONCENTRICS
- * INTERNAL SPRING LOADED CHECK VALVES
- * SWIVELLING SEAT DISKS
- * HOT SIDE STEM - RIGHT HAND
- * COLD SIDE STEM - LEFT HAND
- * STAINLESS STEEL SEATS
- * STAINLESS STEEL SEAT SCREWS
- * STAINLESS STEEL HANDLE SCREWS

ADD-ON CONTROL VALVE

- * STEM - RIGHT HAND SWIVEL
- * HOT INDEX BUTTON
- * SWIVELLING SEAT DISKS
- * STAINLESS STEEL SEATS, SEAT SCREWS AND HANDLE SCREWS.

HOSE

- * 36" LENGTH
- * STAINLESS STEEL END FITTINGS
- * STAINLESS STEEL EXTERNAL JACKET
- * 3-PLY FIBER REINFORCED INTERNAL RUBBER HOSE
- * REPAIRABLE IN FIELD WITH SIMPLE TOOLS

ULTRA SPRAY VALVE

- * LOWEST ENERGY USER - 1.15 GPM @ 60 PSI
- * CLEANS FASTER - TEST PROVEN
- * ENGINEERED TO LAST - NO 'O' RINGS TO LEAK
- * INTERCHANGEABLE - FITS ALL BRANDS

WALL BRACKET

- * ADJUSTS FROM 2" TO 12"

SYSTEM LIMITS

- * TEMP: 40°F MIN. TO 140°F MAX. STATIC
- * PRESSURE 200 PSI MAX. STATIC
- * SHIPPING WEIGHT: 15.0 LBS

* NSF 61-9 APPROVED & LISTED
www.truesdail.com



FISHER MANUFACTURING COMPANY
TOLL FREE: 800-421-6162 - FAX: 800-832-8238
information@fisher-mfg.com - www.fisher-mfg.com