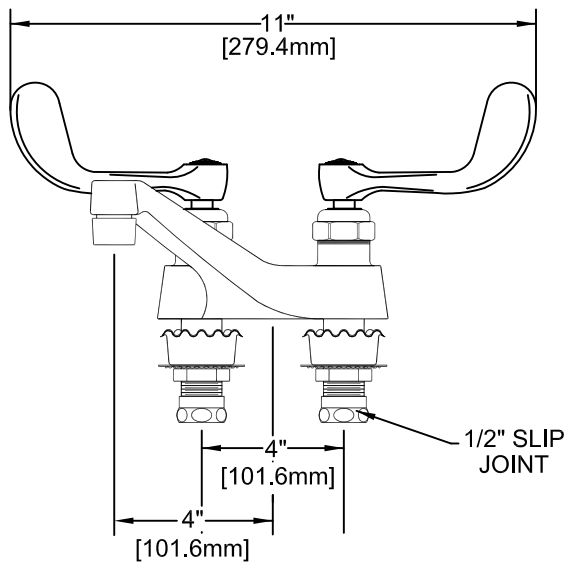
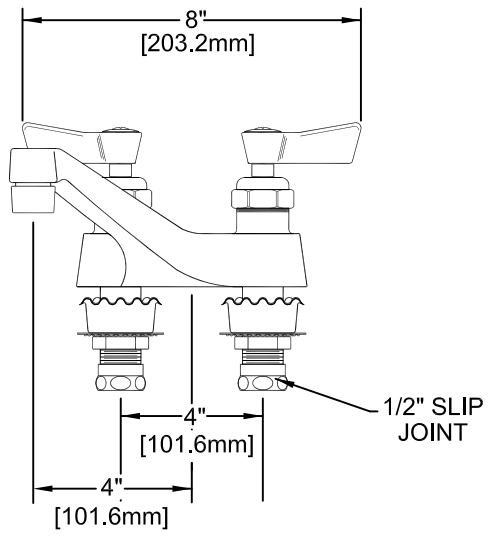
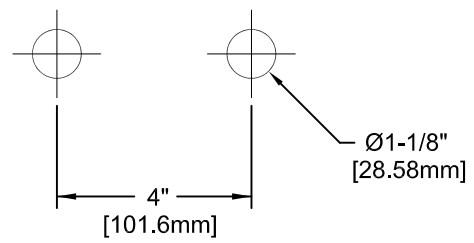


APPLICATION:	
JOB NAME:	
QUANTITY:	ITEM NO.

PRODUCT NAME: STAINLESS STEEL 4" LAVATORY DECK FAUCET	
MODEL:	
<input type="checkbox"/> 54143	WITH LEVER HANDLES
<input type="checkbox"/> 58750	WITH WRIST HANDLES



ROUGH-IN:



**FEATURES**

**CONTROL VALVE**

- \* 4" DECK
- \* SWIVELLING SEAT DISKS
- \* STAINLESS STEEL SEATS
- \* STAINLESS STEEL SEAT SCREWS
- \* STAINLESS STEEL HANDLE SCREWS
- \* HOT & COLD INDEX BUTTONS

**SYSTEM LIMITS**

- \* TEMP: 40°F MIN. TO 140°F MAX.
- \* PRESSURE 200 PSI MAX. STATIC
- \* 0.35 GPM @ 60 PSI

**SHIPPING WEIGHT**

- \* 4.25 LBS

**NSF 61-9 APPROVED & LISTED**

- \* [www.truesdail.com](http://www.truesdail.com)

ANSI/A112.18.1M

**FISHER**  
FISHER MANUFACTURING COMPANY  
TOLL FREE: 800-421-6162 - FAX: 800-832-8238  
[information@fisher-mfg.com](mailto:information@fisher-mfg.com) - [www.fisher-mfg.com](http://www.fisher-mfg.com)