

APPLICATION:

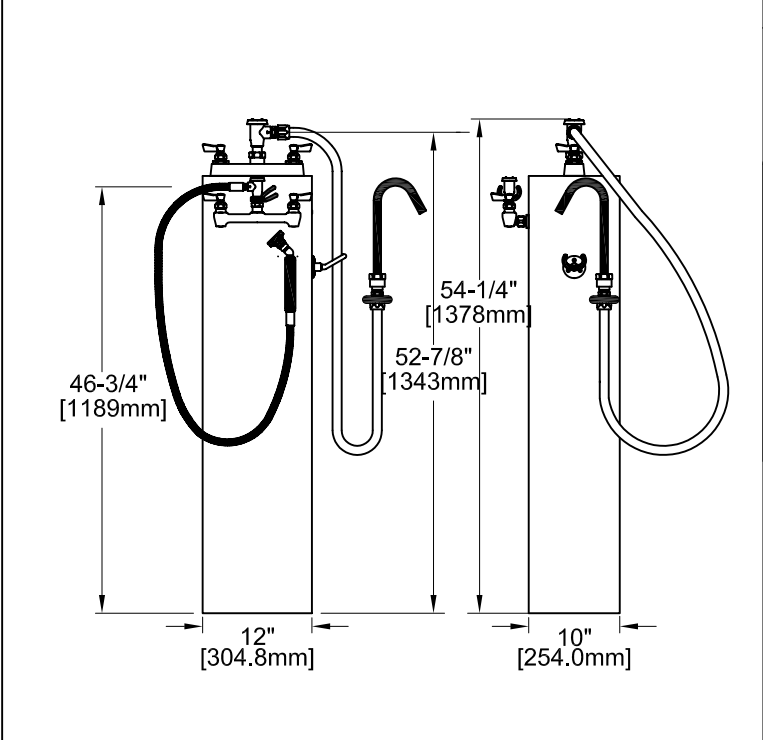
JOB NAME:

PRODUCT NAME:
STAINLESS STEEL FILLKING

SPECIAL CONFIGURATION
 CHECK BASE MODEL AND OPTIONS

QUANTITY: ITEM NO.

MODEL:
 54267



OPTIONS OR MODIFICATIONS:
 3/4" ANGLE STOPS
 6' SUPPLY LINES
 OTHER _____

FEATURES:

- CONTROL VALVES
 * SS 3/4" POT FILLER - DECK MOUNT FAUCET
 * SS 1/2" UTILITY - BACK SPLASH MOUNTED FAUCET
- BOTH CONTROL VALVES LISTED ABOVE HAVE THE FOLLOWING FEATURES:
 * INTERNAL SPRING LOADED CHECK VALVES
 * SWIVELING SEAT DISKS
 * HOT SIDE STEM - RIGHT HAND
 * COLD SIDE STEM - LEFT HAND
 * STAINLESS STEEL SEATS
 * STAINLESS STEEL SEAT SCREWS
 * STAINLESS STEEL HANDLE SCREWS

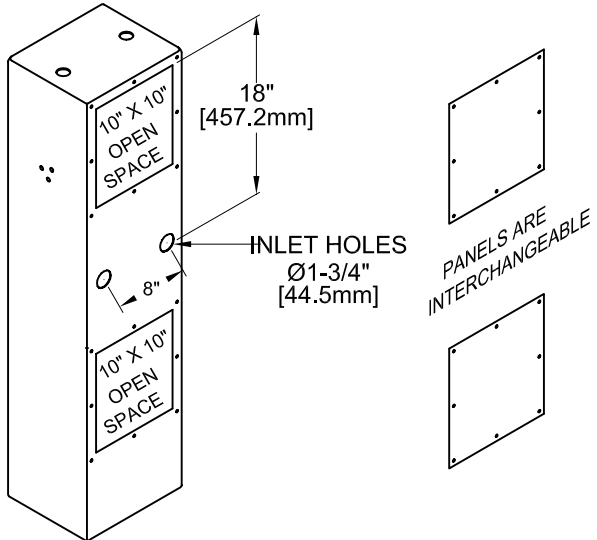
- 3/4" POT FILLER HOSE
 * 72" LG. HEAT MASTER FDA NITRILE/ARAMID
 * NSF-51 (100 PSI W.P. AT 300°F) CONSTANT
 * RENEWABLE END FITTINGS AND BUMPER
 * INLET - 360° SWIVEL VACUUM BREAKER
 * OUTLET - 360° SWIVEL SPOUT W/ VINYL FINISH

- 1/2" UTILITY HOSE
 * 84" LG. 3-PLY FIBER REINFORCED RUBBER
 * STAINLESS STEEL EXTERNAL JACKET
 * STAINLESS STEEL RENEWABLE END FITTINGS
 * INLET - SWIVEL VACUUM BREAKER
 * OUTLET - 45° SPRAY HEAD
 * SHOWER SPRAY PATTERN
 * THERMAL INSULATED HANDLE

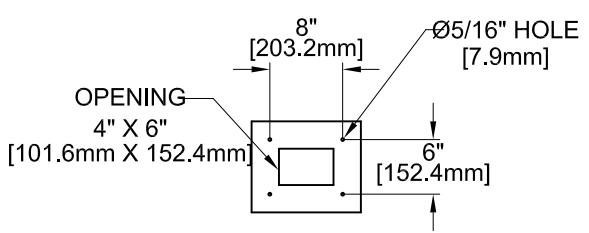
- CABINET
 * STAINLESS STEEL TOWER W/ INTERNAL FLOOR MOUNT FLANGE
 * INTERCHANGEABLE ACCESS PANELS FOR INSTALLATION AND MAINTENANCE

- SYSTEM LIMITS:
 * TEMP: 40°F MIN. TO 140°F MAX.
 * PRESSURE: 100 PSI MAX. WORKING
 * 3/4" POT FILLER: 40 GPM AT 80 PSI
 * 1/2" UTILITY SPRAY: 2.65 GPM AT 80 PSI

- SHIPPING WEIGHT
 * 78.0 LBS
 * NSF 61-9 APPROVED & LISTED
 www.truesdail.com



ROUGH-IN: SEE THE BOTTOM OF THIS BOX



ANSI/A112.18.1M

FISHER
 FISHER MANUFACTURING COMPANY
 TOLL FREE: 800-421-6162 - FAX: 800-832-8238
 information@fisher-mfg.com - www.fisher-mfg.com