

PRODUCT NAME: STAINLESS STEEL  
SINGLE DECK 3/4" POT FILLER  
WITH VACUUM BREAKER

MODEL:

54313 SS SINGLE DECK 3/4" POTFILLER W/ VACUUM BREAKER

FEATURES

CONTROL VALVE

- \* STAINLESS STEEL SINGLE DECK MOUNT
- \* STEM - LEFT HAND
- \* HOT & COLD INDEX BUTTONS
- \* SWIVELING SEAT DISKS
- \* STAINLESS STEEL SEATS
- \* STAINLESS STEEL SEAT SCREWS
- \* STAINLESS STEEL HANDLE SCREWS

HOSE

- \* 72" LG. HEAT MASTER FDA NITRILE/ARAMID
- \* NSF-51 (100 PSI W.P. AT 300°F) CONSTANT
- \* RENEWABLE END FITTINGS & BUMPER
- \* INLET - 360° SWIVEL VACUUM BREAKER
- \* OUTLET - 360° SWIVEL SPOUT WITH VINYL FINISH
- \* 360° SWIVEL GOOSENECK
- \* NON-MARRING GOOSENECK
- \* 360° SWIVEL ATMOSPHERIC VACUUM BREAKER

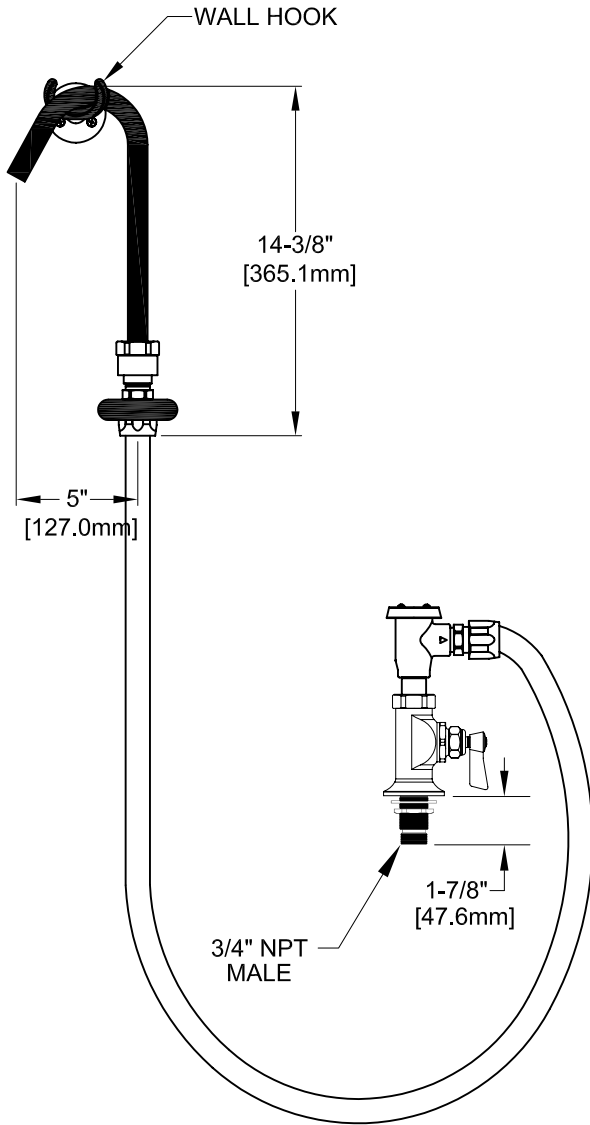
SYSTEM LIMITS

- \* TEMP: 40°F MIN. TO 140°F MAX.
- \* PRESSURE, 200 PSI MAX. STATIC
- \* 29 GPM AT 80 PSI

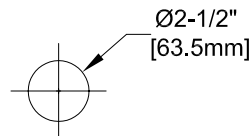
SHIPPING WEIGHT

- \* 11.0 LBS

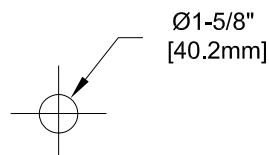
\* NSF 61-9 APPROVED & LISTED  
[www.truesdail.com](http://www.truesdail.com)



FOOTPRINT



ROUGH-IN:



ANSI/A112.18.1-2005

**FISHER**

FISHER MANUFACTURING COMPANY

TOLL FREE: 800-421-6162 - FAX: 800-832-8238

information@fisher-mfg.com - www.fisher-mfg.com