

APPLICATION:

PRODUCT NAME:
 SS GLASS FILLER VALVE

JOB NAME:

SPECIAL CONFIGURATION
 CHECK BASE MODEL AND OPTIONS

QUANTITY:

ITEM NO.

MODEL:
 54852

OPTIONS OR MODIFICATIONS:
 OTHER _____

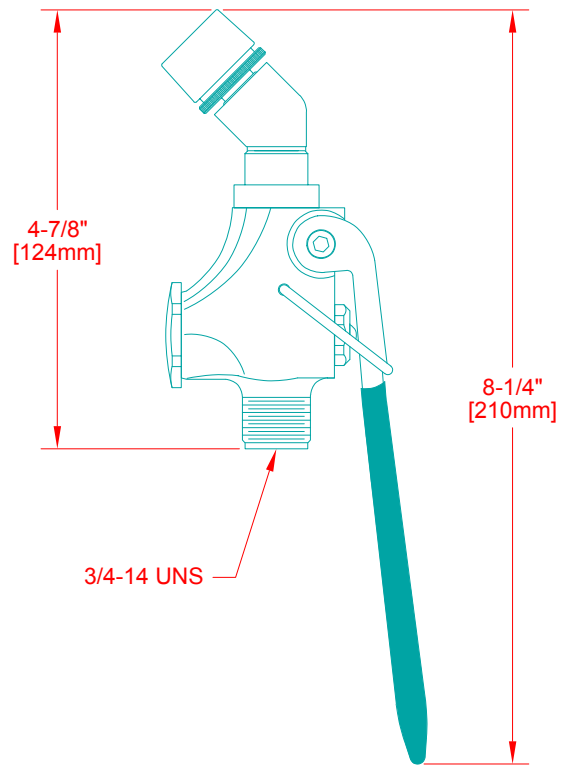
FEATURES

GLASS FILLER VALVE
 * GLASS FILLER NOZZLE THREADED INTO BODY
 * BRONZE HANDLE - NOT PLASTIC - MEANS FULL "ON"
 * BUILT-IN SPRAY HANDLE CLIP
 * FITS ALL BRANDS

SYSTEM LIMITS
 * TEMP: 40°F MIN. TO 140°F MAX.
 * PRESSURE: 200 PSI MAX. STATIC

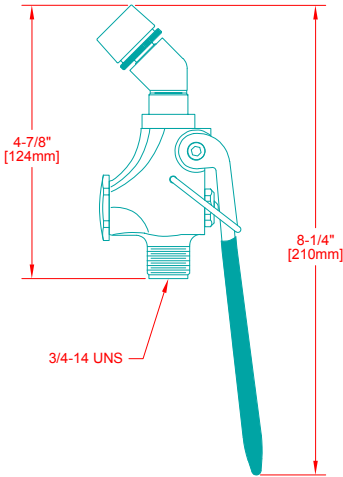

SHIPPING WEIGHT
 * 1.25 LBS

* NSF 61-9 APPROVED & LISTED
www.truesdail.com



ANSI/A112.18.1M

FISHER
 FISHER MANUFACTURING COMPANY
 TOLL FREE: 800-421-6162 - FAX: 800-832-8238
information@fisher-mfg.com - www.fisher-mfg.com

APPLICATION:		PRODUCT NAME: SS GLASS FILLER VALVE	SPEC. 54852
JOB NAME:		<input type="checkbox"/> SPECIAL CONFIGURATION CHECK BASE MODEL AND OPTIONS	
QUANTITY:	ITEM NO.	MODEL: ■ 54852	
		OPTIONS OR MODIFICATIONS: <input type="checkbox"/> OTHER _____	
		FEATURES GLASS FILLER VALVE * GLASS FILLER NOZZLE THREADED INTO BODY * BRONZE HANDLE - NOT PLASTIC - MEANS FULL "ON" * BUILT-IN SPRAY HANDLE CLIP * FITS ALL BRANDS SYSTEM LIMITS * TEMP: 40°F MIN. TO 140°F MAX. * PRESSURE: 200 PSI MAX. STATIC SHIPPING WEIGHT * 1.25 LBS * NSF 61-9 APPROVED & LISTED www.truesdail.com	
ANSI/A112.18.1M		 FISHER MANUFACTURING COMPANY TOLL FREE: 800-421-6162 - FAX: 800-832-8238 information@fisher-mfg.com - www.fisher-mfg.com	