

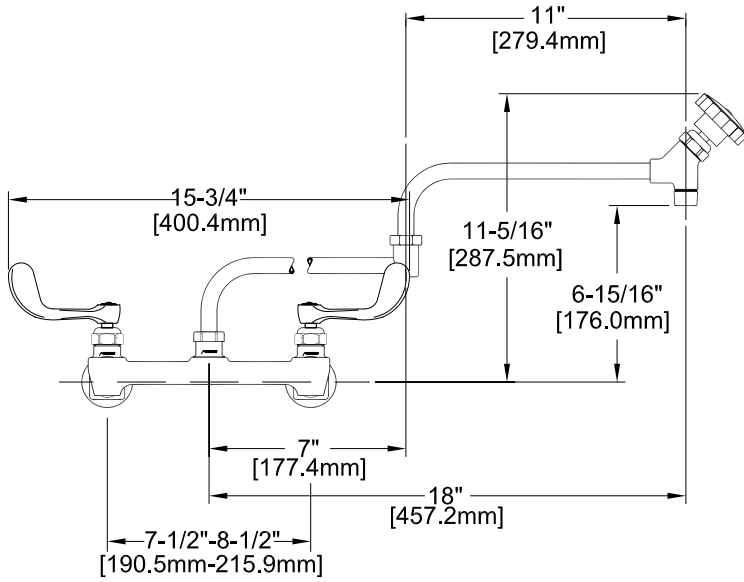
APPLICATION:	
JOB NAME:	
QUANTITY:	ITEM NO.

PRODUCT NAME:	ADJ. WALL POT FILLER W/DJ SPOUT
93890	SPECIAL CONFIGURATION CHECK BASE MODEL AND OPTIONS

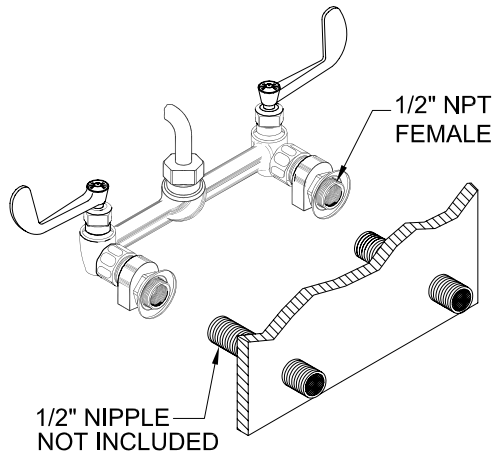
MODEL:	<input checked="" type="checkbox"/> 4230 WITH 18" DJ SWING SPOUT <input type="checkbox"/> 4231 WITH 24" DJ SWING SPOUT
--------	---

OPTIONS OR MODIFICATIONS:	<input type="checkbox"/> SUPPLY LINES (24" OR 36") CIRCLE LENGTH <input type="checkbox"/> NIPPLES <input type="checkbox"/> ELBOWS <input checked="" type="checkbox"/> HANDLES (CROSS OR <u>WRIST</u> ) CIRCLE STYLE <input type="checkbox"/> OTHER _____
---------------------------	--

FEATURES	<ul style="list-style-type: none"> <li>* ECCENTRICS ADJUST FROM 7-1/2" TO 8-1/2"</li> <li>* INTERNAL SPRING LOADED CHECK VALVES</li> <li>* SWIVELLING SEAT DISKS</li> <li>* COLD SIDE STEM - LEFT HAND</li> <li>* HOT SIDE STEM - RIGHT HAND</li> <li>* STAINLESS STEEL SEATS</li> <li>* STAINLESS STEEL SEAT SCREWS</li> <li>* STAINLESS STEEL HANDLE SCREWS</li> </ul>
SYSTEM LIMITS	<ul style="list-style-type: none"> <li>* TEMP: 40°F MIN. TO 140°F MAX.</li> <li>* PRESSURE: 200 PSI MAX. STATIC</li> <li>* 5.00 GPM AT 80 PSI</li> </ul>
SHIPPING WEIGHT	* 6.0 LBS



ROUGH-IN:





**FISHER**  
 FISHER MANUFACTURING COMPANY  
 TOLL FREE: 800-421-6162 - FAX: 800-832-8238  
 information@fisher-mfg.com - www.fisher-mfg.com