

APPLICATION:

JOB NAME:

QUANTITY: ITEM NO.

PRODUCT NAME:
**SINGLE DECK POT FILLER WITH
 DJ SWING SPOUT**

_____ SPECIAL CONFIGURATION
 _____ CHECK BASE MODEL AND OPTIONS

MODEL:
 56251 WITH 11" CONTROL SPOUT

OPTIONS OR MODIFICATIONS:

SUPPLY LINES (24" OR 36") CIRCLE LENGTH

HANDLES (CROSS OR WRIST) CIRCLE STYLE

VANDAL RESISTANT KIT

OTHER 13" DJ SWING SPOUT

FEATURES

CONTROL VALVE

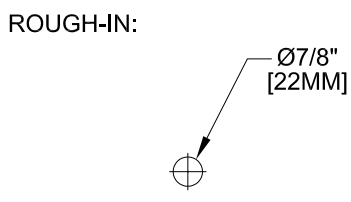
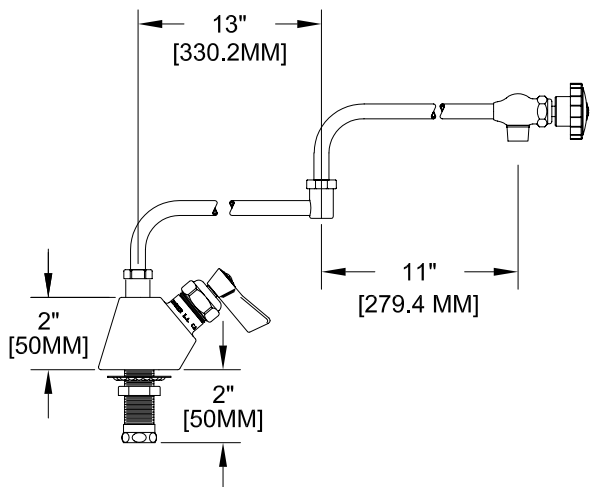
- * SINGLE DECK
- * SWIVELLING SEAT DISKS
- * STEM - LEFT HAND
- * STAINLESS STEEL SEATS
- * STAINLESS STEEL SEAT SCREWS
- * STAINLESS STEEL HANDLE SCREWS
- * HOT & COLD INDEX BUTTONS

SYSTEM LIMITS

- * TEMP: 40°F MIN. TO 140°F MAX.
- * PRESSURE 200 PSI MAX. STATIC
- * 5.0 GPM @ 80 PSI

SHIPPING WEIGHT

- * 4.0 LBS



ANSI/A112.18.1M

FISHER

FISHER MANUFACTURING COMPANY

TOLL FREE: 800-421-6162 - FAX: 800-832-8238

information@fisher-mfg.com - www.fisher-mfg.com