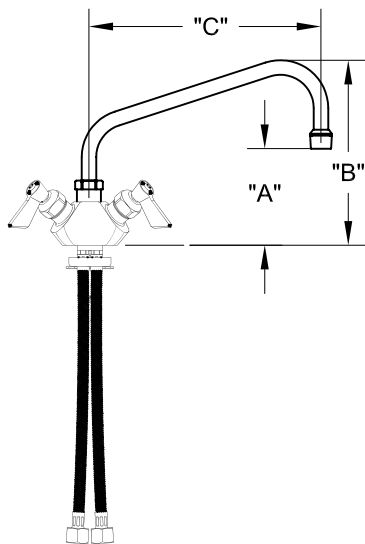
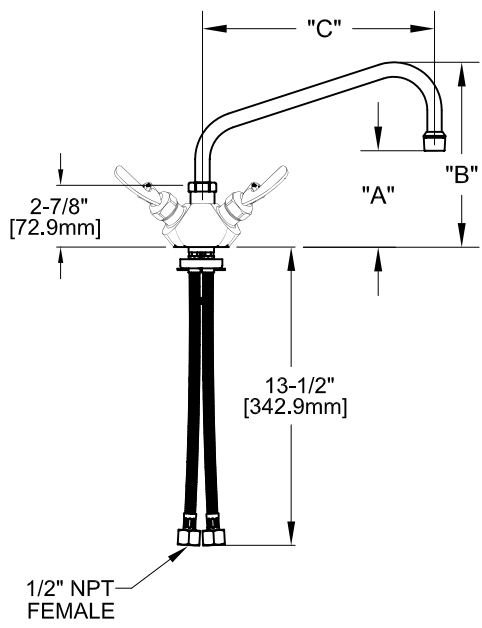


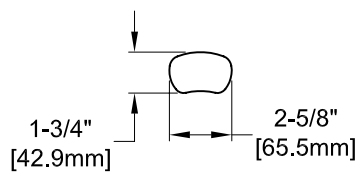
**SINGLE DECK DUAL CONTROL FAUCET W/ LEVER HANDLES**



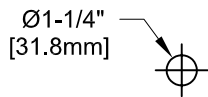
**SINGLE DECK DUAL CONTROL FAUCET W/ WRIST HANDLES**



**FOOTPRINT:**



**ROUGH-IN:**



**PRODUCT NAME:** STAINLESS STEEL  
SINGLE DECK DUAL CONTROL FAUCET

**MODEL:**

- 52760 W/ 6" SWING SPOUT W/ LEVER HANDLES
- 52779 W/ 8" SWING SPOUT W/ LEVER HANDLES
- 52787 W/ 10" SWING SPOUT W/ LEVER HANDLES
- 52795 W/ 12" SWING SPOUT W/ LEVER HANDLES
- 52809 W/ 14" SWING SPOUT W/ LEVER HANDLES
- 52817 W/ 16" SWING SPOUT W/ LEVER HANDLES
- 57266 W/ 6" SWING SPOUT W/ WRIST HANDLES
- 57274 W/ 8" SWING SPOUT W/ WRIST HANDLES
- 57282 W/ 10" SWING SPOUT W/ WRIST HANDLES
- 57290 W/ 12" SWING SPOUT W/ WRIST HANDLES
- 57304 W/ 14" SWING SPOUT W/ WRIST HANDLES
- 57312 W/ 16" SWING SPOUT W/ WRIST HANDLES

**FEATURES**

**CONTROL VALVE**

- \* SINGLE DECK DUAL CONTROL
- \* STAINLESS STEEL CONSTRUCTION
- \* SWIVELLING SEAT DISKS
- \* HOT SIDE STEM - RIGHT HAND
- \* COLD SIDE STEM - LEFT HAND
- \* LEVER HANDLES OR WRIST HANDLES
- \* STAINLESS STEEL BRAIDED HOSE

**SYSTEM LIMITS**

- \* TEMP: 40°F MIN. TO 140°F MAX. STATIC
- \* PRESSURE 200 PSI MAX.
- \* 2.20 GPM AT 80 PSI

**SHIPPING WEIGHT**

- \* 4.75 LBS

\* NSF 61-9 APPROVED & LISTED

[www.truesdail.com](http://www.truesdail.com)

| MODELS         | DIM "A"             | DIM "B"             | DIM "C"        |
|----------------|---------------------|---------------------|----------------|
| 52760<br>57266 | 3"<br>[76.2mm]      | 6-5/8"<br>[168.3mm] | 6"<br>[152mm]  |
| 52779<br>57274 | 3-1/4"<br>[82.6mm]  | 7-1/8"<br>[181.0mm] | 8"<br>[204mm]  |
| 52787<br>57282 | 3-7/8"<br>[98.4mm]  | 7-5/8"<br>[193.7mm] | 10"<br>[254mm] |
| 52795<br>57290 | 4-1/2"<br>[114.3mm] | 8-1/8"<br>[206.4mm] | 12"<br>[305mm] |
| 52809<br>57304 | 5-1/8"<br>[130.2mm] | 9"<br>[228.6mm]     | 14"<br>[356mm] |
| 52817<br>57312 | 5"<br>[149.2mm]     | 9-5/8"<br>[244.5mm] | 16"<br>[406mm] |

**FISHER**  
FISHER MANUFACTURING COMPANY  
TOLL FREE: 800-421-6162 - FAX: 800-832-8238  
[information@fisher-mfg.com](mailto:information@fisher-mfg.com) - [www.fisher-mfg.com](http://www.fisher-mfg.com)