

## Swing Spout Installation Instructions

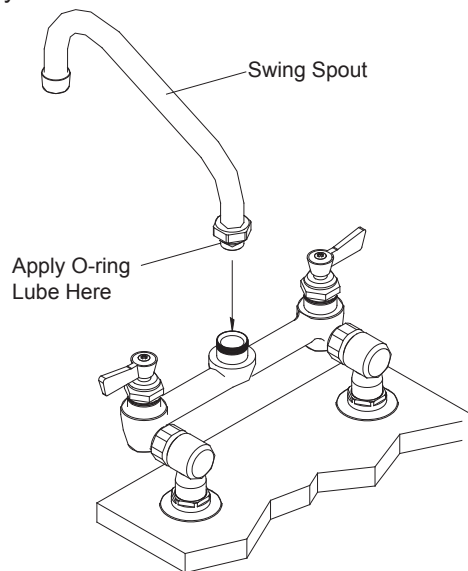
### Step 1.

Apply O-ring lube to the O-rings on the swing spout. Make sure the white snap ring is in place before mounting the swing spout. Mount the swing spout and tighten the swing spout nut onto the faucet spout outlet.

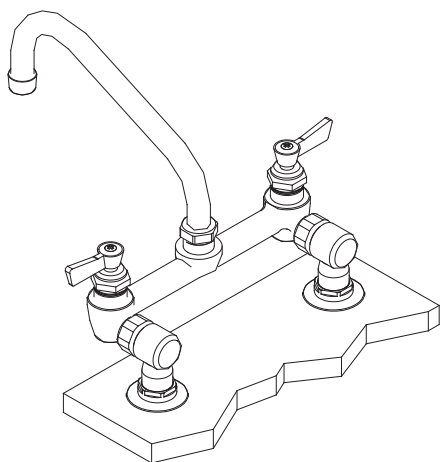
### Step 2.

Turn on water supply and check for leaks.

Step 1



Step 1



**FISHER**

MANUFACTURING COMPANY  
PO BOX 60, TULARE, CA 93275  
(800)421-6162, FAX: (800)832-8238  
www.fisher-mfg.com

**FISHER**  
FISHER MANUFACTURING COMPANY

## Stainless Steel 8" Deck Mount Faucets Product Installation Guide

Since 1936, Fisher Manufacturing Company has manufactured heavy-duty, high quality plumbing products and hardware specialties for the food service industry. For three generations, the Fisher family has adhered to a strict dedication of overall value. When you install Fisher products... you install the best. Our hardware is manufactured with the standardization of internal mechanisms. Every piece of equipment we make is rigorously tested in both our modern in-house testing center and in actual field situations under extreme conditions. Every detail is thoroughly checked. Before we make our products available to you, they pass each and every test. You get proven performance. Guaranteed.

### Limited One Year Warranty

Fisher Manufacturing Company warrants its products and parts thereof (except as noted below) against defects in materials or workmanship for a period of one year after the date of original purchase. During this period Fisher Manufacturing Company will replace a defective product or part without charge to you, provided that the entire product is delivered to Fisher Manufacturing Company. All transportation and insurance charges for shipping the product to and from Fisher Manufacturing Company must be borne by you. Charges for transportation and insurance may, at the option of Fisher Manufacturing Company, be refunded depending upon our investigation of the warranty claim. This warranty does not cover external finish (except at date of original purchase) or labor costs not specifically authorized by Fisher Manufacturing Company.

A full and complete copy of our One Year limited warranty is available upon request.

### WARNING:

**Proposition 65 requires that we provide you with the following notice:** "This product Contains A Chemical Known To The State Of California To Cause Birth Defects Or Other Reproductive Harm."



### Lever Handles

53630 - 8" Deck Faucet 6" Swing Spout  
57649 - 8" Deck Faucet 8" Swing Spout  
57657 - 8" Deck Faucet 10" Swing Spout  
57665 - 8" Deck Faucet 12" Swing Spout  
57673 - 8" Deck Faucet 14" Swing Spout  
57681 - 8" Deck Faucet 16" Swing Spout

### Wrist Handles

57827 - 8" Deck Faucet 6" Swing Spout  
57835 - 8" Deck Faucet 8" Swing Spout  
57843 - 8" Deck Faucet 10" Swing Spout  
57851 - 8" Deck Faucet 12" Swing Spout  
57878 - 8" Deck Faucet 14" Swing Spout  
57886 - 8" Deck Faucet 16" Swing Spout



ANSI/A112.18.1M, ANSI/NSF 61.9

FISHER MANUFACTURING COMPANY, TOLL FREE: 800-421-6162, FAX:800-832-8238

www.noleadfaucet.com

## Installation Instructions for Stainless Steel 8" Deck Faucet

**BE SURE TO CHECK WITH YOUR LOCAL DEPARTMENT HAVING JURISDICTION REGARDING BACKFLOW PREVENTION.**

### Installation Notes:

- Be sure water supply is shut-off before beginning.
- Use pipe thread sealant on all threaded joints such as PST or Teflon tape.
- Check the packaging for missing items BEFORE beginning installation. If items are missing, contact your supplier.

### Items needed for Installation:

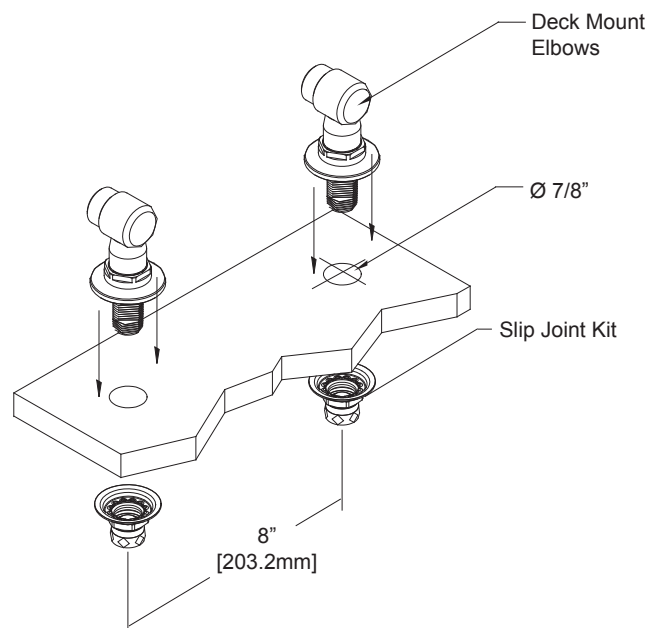
- 1 - Medium Sized Crescent Wrenches
- 1 - Plumbers Tape or Pipe Thread Sealant

## 8" Deck Installation Instructions

### Step 1.

After unpacking items and checking for missing components, insert deck mount elbows by inserting nipples through pre-drilled 7/8" holes in deck. Tighten deck mount elbows until they are secure, but still can move for adjustments.

#### Step 1



## 8" Deck Installation Instructions

### Step 2.

Insert the gaskets into the grooves on the deck mount elbows. Making sure gaskets are in place, loosely mount the control valve body on the deck mount elbows and tighten flange nut by hand.

### Step 3.

Once the control valve body is mounted, tighten the flange nuts and the deck mount elbows securely. attach slip joints kit or supply lines (not included).

**\* Note: If there are leaks at the flange nut, do tighten. Loosen flange nuts and make sure the gaskets are in the groove on the deck mount elbows and retighten.**

