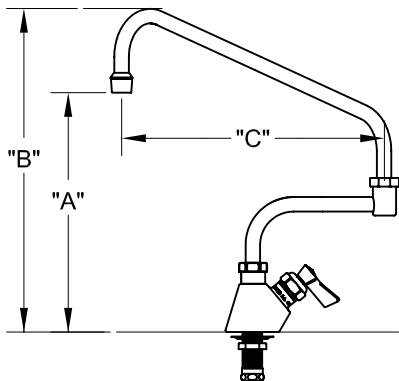
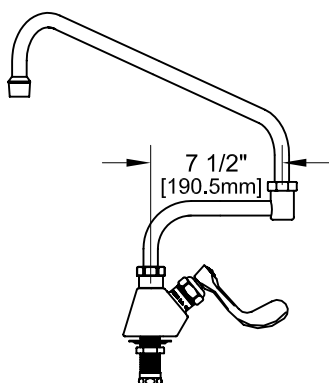


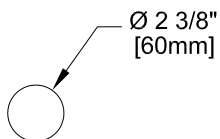
SINGLE DECK FAUCET W/ LEVER HANDLES



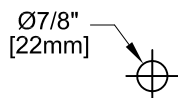
SINGLE DECK FAUCET W/ WRIST HANDLES



FOOTPRINT:



ROUGH-IN:



PRODUCT NAME: STAINLESS STEEL SINGLE DECK FAUCET

MODEL:

- 58076 W/ 6" SWING SPOUT W/ 7" DJ & LEVER HANDLES
- 58084 W/ 8" SWING SPOUT W/ 7" DJ & LEVER HANDLES
- 58092 W/ 10" SWING SPOUT W/ 7" DJ & LEVER HANDLES
- 58106 W/ 12" SWING SPOUT W/ 7" DJ & LEVER HANDLES
- 58114 W/ 14" SWING SPOUT W/ 7" DJ & LEVER HANDLES
- 58122 W/ 16" SWING SPOUT W/ 7" DJ & LEVER HANDLES
- 58262 W/ 6" SWING SPOUT W/ 7" DJ & WRIST HANDLES
- 58270 W/ 8" SWING SPOUT W/ 7" DJ & WRIST HANDLES
- 58289 W/ 10" SWING SPOUT W/ 7" DJ & WRIST HANDLES
- 58297 W/ 12" SWING SPOUT W/ 7" DJ & WRIST HANDLES
- 58300 W/ 14" SWING SPOUT W/ 7" DJ & WRIST HANDLES
- 58319 W/ 16" SWING SPOUT W/ 7" DJ & WRIST HANDLES

FEATURES

CONTROL VALVE

- \* SINGLE DECK
- \* STAINLESS STEEL CONSTRUCTION
- \* SWIVEL SEAT DISK
- \* STEM - LEFT HAND
- \* LEVER HANDLES OR WRIST HANDLES
- \* STAINLESS STEEL SWING SPOUT
- \* STAINLESS STEEL DJ SPOUT

SYSTEM LIMITS

- \* TEMP: 40°F MIN. TO 140°F MAX. STATIC
- \* PRESSURE 200 PSI MAX.
- \* 2.20 GPM AT 80 PSI

SHIPPING WEIGHT

- \* 4.75 LBS

\* NSF 61-9 APPROVED & LISTED  
www.truesdail.com

MODELS	DIM "A"	DIM "B"	DIM "C"
58076 58262	6-1/8" [155.5mm]	9-3/4" [247.6mm]	6" [152mm]
58084 58270	6-13/16" [173mm]	10-7/16" [265.1mm]	8" [204mm]
58092 58289	7-7/16" [188.9mm]	11-1/16" [280.9mm]	10" [254mm]
58106 58297	8-1/8" [206.3mm]	11-3/4" [298.4mm]	12" [305mm]
58114 58300	8-11/16" [220.6mm]	12-5/16" [312.7mm]	14" [356mm]
58122 58319	9-3/8" [238.1mm]	12-15/16" [328.6mm]	16" [406mm]



FISHER MANUFACTURING COMPANY  
TOLL FREE: 800-421-6162 - FAX: 800-832-8238  
information@fisher-mfg.com - www.fisher-mfg.com