

Stainless Steel Single Deck Faucets Product Installation Guide

Since 1936, Fisher Manufacturing Company has manufactured heavy-duty, high quality plumbing products and hardware specialties for the food service industry. For three generations, the Fisher family has adhered to a strict dedication of overall value. When you install Fisher products... you install the best. Our hardware is manufactured with the standardization of internal mechanisms. Every piece of equipment we make is rigorously tested in both our modern in-house testing center and in actual field situations under extreme conditions. Every detail is thoroughly checked. Before we make our products available to you, they pass each and every test. You get proven performance. Guaranteed.

Limited One Year Warranty

Fisher Manufacturing Company warrants its products and parts thereof (except as noted below) against defects in materials or workmanship for a period of one year after the date of original purchase. During this period Fisher Manufacturing Company will replace a defective product or part without charge to you, provided that the entire product is delivered to Fisher Manufacturing Company. All transportation and insurance charges for shipping the product to and from Fisher Manufacturing Company must be borne by you. Charges for transportation and insurance may, at the option of Fisher Manufacturing Company, be refunded depending upon our investigation of the warranty claim. This warranty does not cover external finish (except at date of original purchase) or labor costs not specifically authorized by Fisher Manufacturing Company.

A full and complete copy of our One Year limited warranty is available upon request.

WARNING:

Proposition 65 requires that we provide you with the following notice: "This product Contains A Chemical Known To The State Of California To Cause Birth Defects Or Other Reproductive Harm."



Lever Handles

- 58130 - Single Deck Faucet with 6" Swivel/ Rigid Gooseneck Spout
- 58149 - Single Deck Faucet with 12" Swivel/ Rigid Gooseneck Spout

Wrist Handles

- 58327 - Single Deck Faucet with 6" Swivel/ Rigid Gooseneck Spout
- 58335 - Single Deck Faucet with 12" Swivel/ Rigid Gooseneck Spout

Installation Instructions for Stainless Steel Single Deck Mount Faucet

BE SURE TO CHECK WITH YOUR LOCAL DEPARTMENT HAVING JURISDICTION REGARDING BACKFLOW PREVENTION.

Installation Notes:

- Be sure water supply is shut-off before beginning.
- Use pipe thread sealant on all threaded joints such as PST or Teflon tape.
- Check the packaging for missing items BEFORE beginning installation. If items are missing, contact your supplier.

Items needed for Installation:

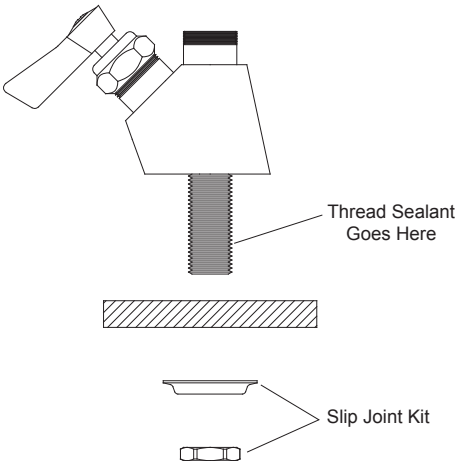
- 1 - Medium Sized Crescent Wrenches
- 1 - Plumbers Tape or Pipe Thread Sealant

Single Deck Installation Instructions

Step 1.

Mount control valve on deck by inserting the nipple through a pre-drilled 7/8" hole in deck. Apply thread sealant to the nipple and attach slip joint kit. Tighten until control valve is secure.

Step 1



Swivel/Rigid Gooseneck Spout Installation Instructions

Step 1.

Installing a swivel spout, apply lube to the o-rings on the gooseneck spout. Make sure the white snap ring is in place before mounting the spout. Mount the spout and tighten the gooseneck spout nut onto the faucet spout outlet.

Step 2.

Insert serrated washer into the spout outlet to install a rigid spout. Then see step 1 to complete the installation.

Step 3.

Turn on water supply and check for leaks.

Step 2 & 3

