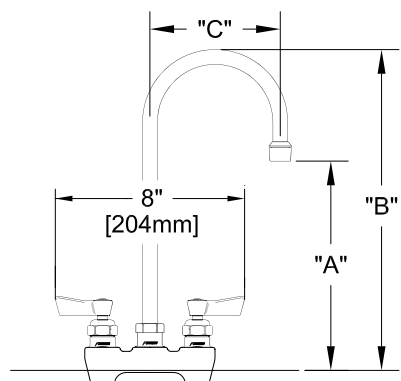
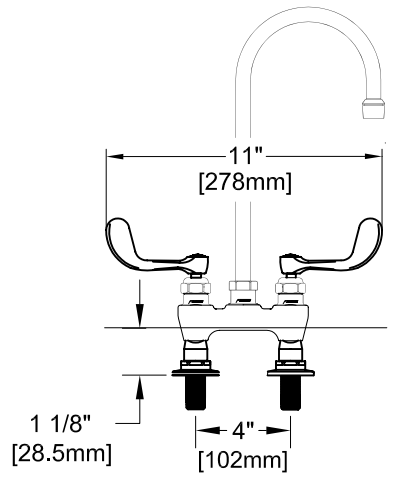


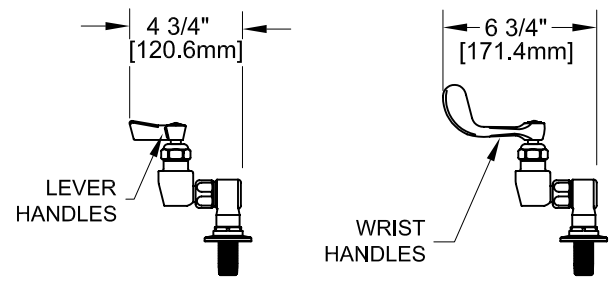
4" DECK MOUNT W/ LEVER HANDLES



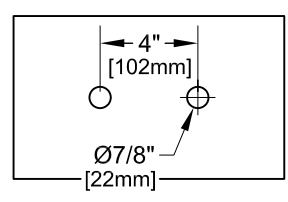
4" DECK MOUNT W/ WRIST HANDLES



SIDE VIEW:



ROUGH-IN:



PRODUCT NAME: STAINLESS STEEL
4" DECK MOUNT FAUCETS

MODEL:

- 53872 W/ 6" SWIVEL/RIGID GOOSENECK SPOUT W/ LEVER HANDLES
- 53880 W/ 12" SWIVEL/RIGID GOOSENECK SPOUT W/ LEVER HANDLES
- 58696 W/ 6" SWIVEL/RIGID GOOSENECK SPOUT W/ WRIST HANDLES
- 58718 W/ 12" SWIVEL/RIGID GOOSENECK SPOUT W/ WRIST HANDLES

FEATURES

- CONTROL VALVE
- * 4" DECK MOUNT
 - * STAINLESS STEEL CONSTRUCTION
 - * SWIVELLING SEAT DISKS
 - * HOT SIDE STEM - RIGHT HAND
 - * COLD SIDE STEM - LEFT HAND
 - * LEVER HANDLES OR WRIST HANDLES
 - * SWIVEL GOOSENECK SPOUT

SYSTEM LIMITS

- * TEMP: 40°F MIN. TO 140°F MAX.
- * PRESSURE: 200 PSI MAX. STATIC
- * 2.20 GPM AT 80 PSI

SHIPPING WEIGHT

* 6.0 LBS

* NSF 61-9 APPROVED & LISTED
www.truesdail.com

MODELS	DIM "A"	DIM "B"	DIM "C"
53872	4-1/2"	8-1/16"	3-1/2"
58696	[114.3mm]	[204.8mm]	[88.90mm]
53880	8-1/4"	12-1/4"	5-1/2"
58718	[209.6mm]	[311.2mm]	[139.7mm]

FISHER
FISHER MANUFACTURING COMPANY
TOLL FREE: 800-421-6162 - FAX: 800-832-8238
information@fisher-mfg.com - www.fisher-mfg.com