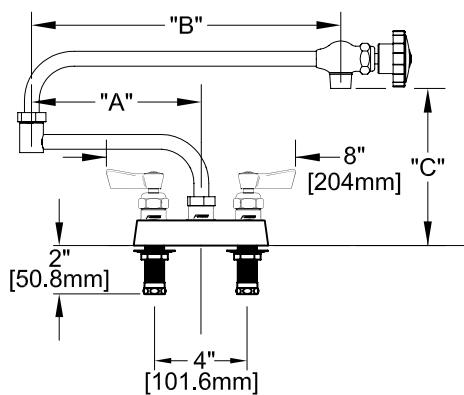
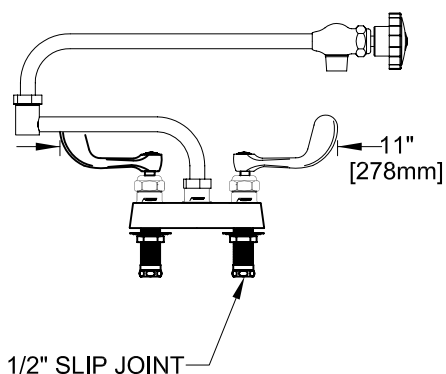


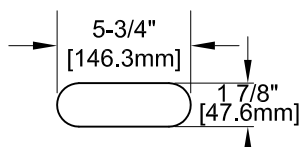
4" DECK MOUNT W/ LEVER HANDLES



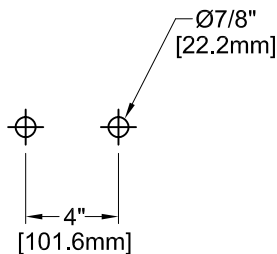
4" DECK MOUNT W/ WRIST HANDLES



FOOTPRINT:



ROUGH-IN:



PRODUCT NAME: STAINLESS STEEL  
4" DECK MOUNT FAUCETS

MODEL:

- 54135 W/ 12" CONTROL SWING SPOUT, 7" DJ W/ LEVER HANDLES
- 54828 W/ 12" CONTROL SWING SPOUT, 12" DJ W/ LEVER HANDLES
- 58734 W/ 12" CONTROL SWING SPOUT, 7" DJ W/ WRIST HANDLES
- 58742 W/ 12" CONTROL SWING SPOUT, 12" DJ W/ WRIST HANDLES

FEATURES

CONTROL VALVE

- \* 4" DECK MOUNT
- \* STAINLESS STEEL CONSTRUCTION
- \* SWIVELLING SEAT DISKS
- \* HOT SIDE STEM - RIGHT HAND
- \* COLD SIDE STEM - LEFT HAND
- \* LEVER HANDLES OR WRIST HANDLES
- \* CONTROL SWING SPOUT

SYSTEM LIMITS

- \* TEMP: 40°F MIN. TO 140°F MAX.

SHIPPING WEIGHT

- \* 6.0 LBS

\* NSF 61-9 APPROVED & LISTED

[www.truedsail.com](http://www.truedsail.com)

MODELS	DIM "A"	DIM "B"	DIM "C"
54135	7"	12 1/2"	7 1/2"
58734	[177.8mm]	[317.5mm]	[190.5mm]
54828	12"	12 1/2"	7 1/2"
58742	[308.4mm]	[317.5mm]	[190.5mm]



FISHER MANUFACTURING COMPANY

TOLL FREE: 800-421-6162 - FAX: 800-832-8238

[information@fisher-mfg.com](mailto:information@fisher-mfg.com) - [www.fisher-mfg.com](http://www.fisher-mfg.com)