

APPLICATION:

JOB NAME:

QUANTITY:                      ITEM NO.

PRODUCT NAME:  
 GLASS FILLER HOSE STYLE  
 SINGLE WALL MOUNT

SPECIAL CONFIGURATION  
 CHECK BASE MODEL AND OPTIONS

MODEL:  
 59544

OPTIONS OR MODIFICATIONS:

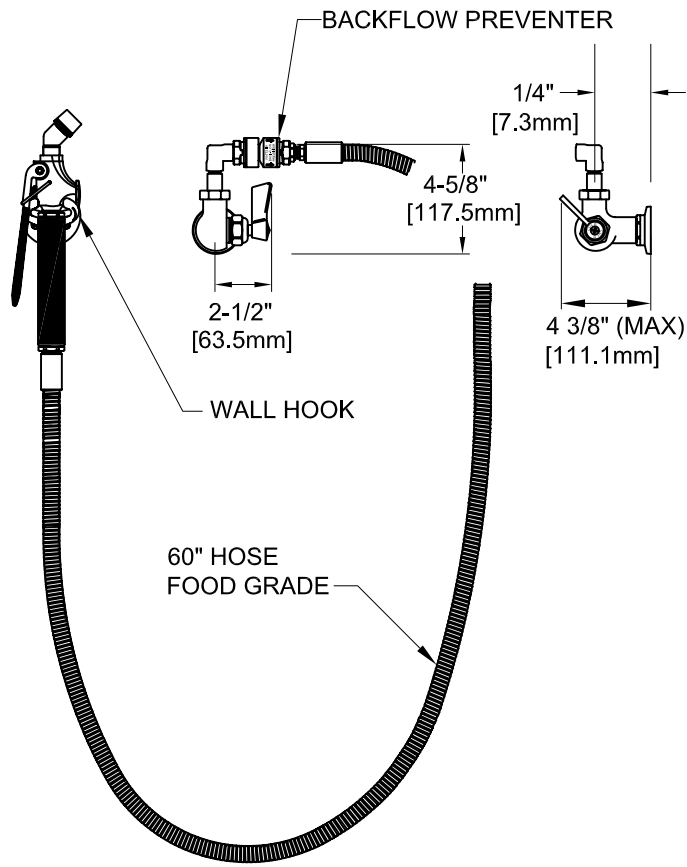
BACKFLOW PREVENTER

NIPPLE

ELBOW

OTHER \_\_\_\_\_

- FEATURES:
- CONTROL VALVE**
- \* SINGLE WALL MOUNT
  - \* STEM - RIGHT HAND
  - \* SWIVELING SEAT DISKS
  - \* HOT & COLD INDEX BUTTONS
  - \* STAINLESS STEEL SEATS
  - \* STAINLESS STEEL SEAT SCREWS
  - \* STAINLESS STEEL HANDLE SCREWS
- HOSE**
- \* 60" LENGTH
  - \* STAINLESS STEEL END FITTINGS
  - \* STAINLESS STEEL EXTERNAL JACKET
  - \* USDA APPROVED FOODGRADE INTERNAL HOSE
  - \* REPAIRABLE IN FIELD WITH SIMPLE TOOLS
- IN-LINE VACUUM BREAKER**
- \* ATMOSPHERIC VENT
  - \* FOR IN-LINE CONTINUOUS PRESSURE APPLICATIONS
  - \* FOR EXPOSED SERVICEABLE INSTALLATIONS
  - \* DOUBLE CHECK DESIGN
- GLASS FILLER VALVE**
- \* BRONZE HANDLE - NOT PLASTIC - MEANS FULL "ON"
  - \* FITS ALL BRANDS
  - \* 5.0 GPM AT 80 PSI
- SYSTEM LIMITS**
- \* TEMP: 40°F MIN. TO 140°F MAX.
  - \* PRESSURE 200 PSI MAX. STATIC
- SHIPPING WEIGHT**
- \* 6.5 LBS



ROUGH-IN:

