

PRODUCT NAME: **STAINLESS STEEL  
8" C/C BACKSPLASH FAUCET**

- MODEL:
- 60100 10" SWING SPOUT W/ LEVER HANDLES
  - 60275 10" SWING SPOUT W/ WRIST HANDLES
  - 51179 14" SWING SPOUT W/ LEVER HANDLES
  - 51209 14" SWING SPOUT W/ WRIST HANDLES

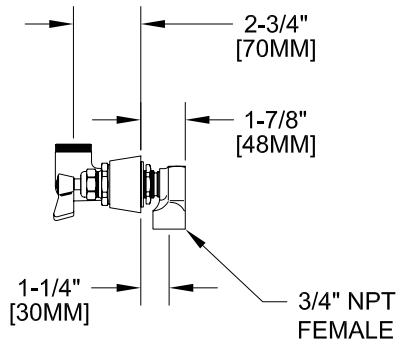
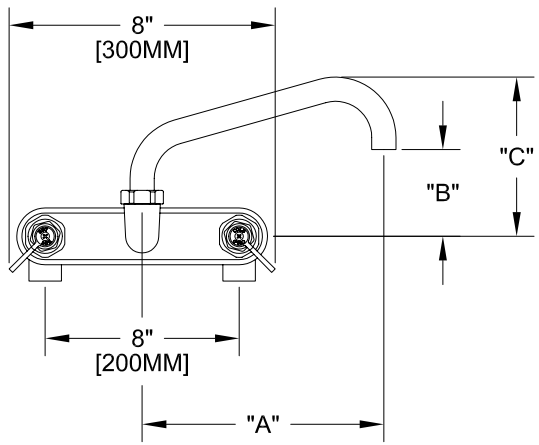
- FEATURES
- \* 8" BACKSPLASH
  - \* SWIVELLING SEAT DISKS
  - \* HOT SIDE STEM - LEFT HAND
  - \* COLD SIDE STEM - RIGHT HAND
  - \* STAINLESS STEEL SEATS
  - \* STAINLESS STEEL SEAT SCREWS
  - \* STAINLESS STEEL HANDLE SCREWS
  - \* CLOSE ELBOWS

RECOMMENDED SETTINGS  
\* 110°F AT 80 PSI

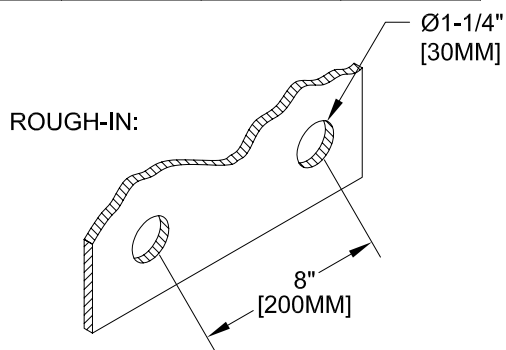
SYSTEM LIMITS  
\* TEMP: 40°F MIN. TO 140°F MAX.  
\* PRESSURE: 200 PSI MAX. STATIC  
\* 37 GPM AT 80 PSI

SHIPPING WEIGHT  
\* 9.0 LBS

\* NSF 61-9 APPROVED & LISTED  
[www.truedail.com](http://www.truedail.com)



| MODEL | DIM "A"        | DIM "B"           | DIM "C"           |
|-------|----------------|-------------------|-------------------|
| 60100 | 10"<br>[250MM] | 3-5/8"<br>[92MM]  | 6-5/8"<br>[168MM] |
| 60275 | 10"<br>[250MM] | 3-5/8"<br>[92MM]  | 6-5/8"<br>[168MM] |
| 51179 | 14"<br>[350MM] | 4-3/4"<br>[120MM] | 7-3/4"<br>[197MM] |
| 51209 | 14"<br>[350MM] | 4-3/4"<br>[120MM] | 7-3/4"<br>[197MM] |



ANSI/A112.18.1-2005

**FISHER**  
FISHER MANUFACTURING COMPANY  
TOLL FREE: 800-421-6162 - FAX: 800-832-8238  
[information@fisher-mfg.com](mailto:information@fisher-mfg.com) - [www.fisher-mfg.com](http://www.fisher-mfg.com)