

APPLICATION:

JOB NAME:

PRODUCT NAME:

1/2" SLIP JOINT KIT

SPECIAL CONFIGURATION
CHECK BASE MODEL AND OPTIONS

QUANTITY:

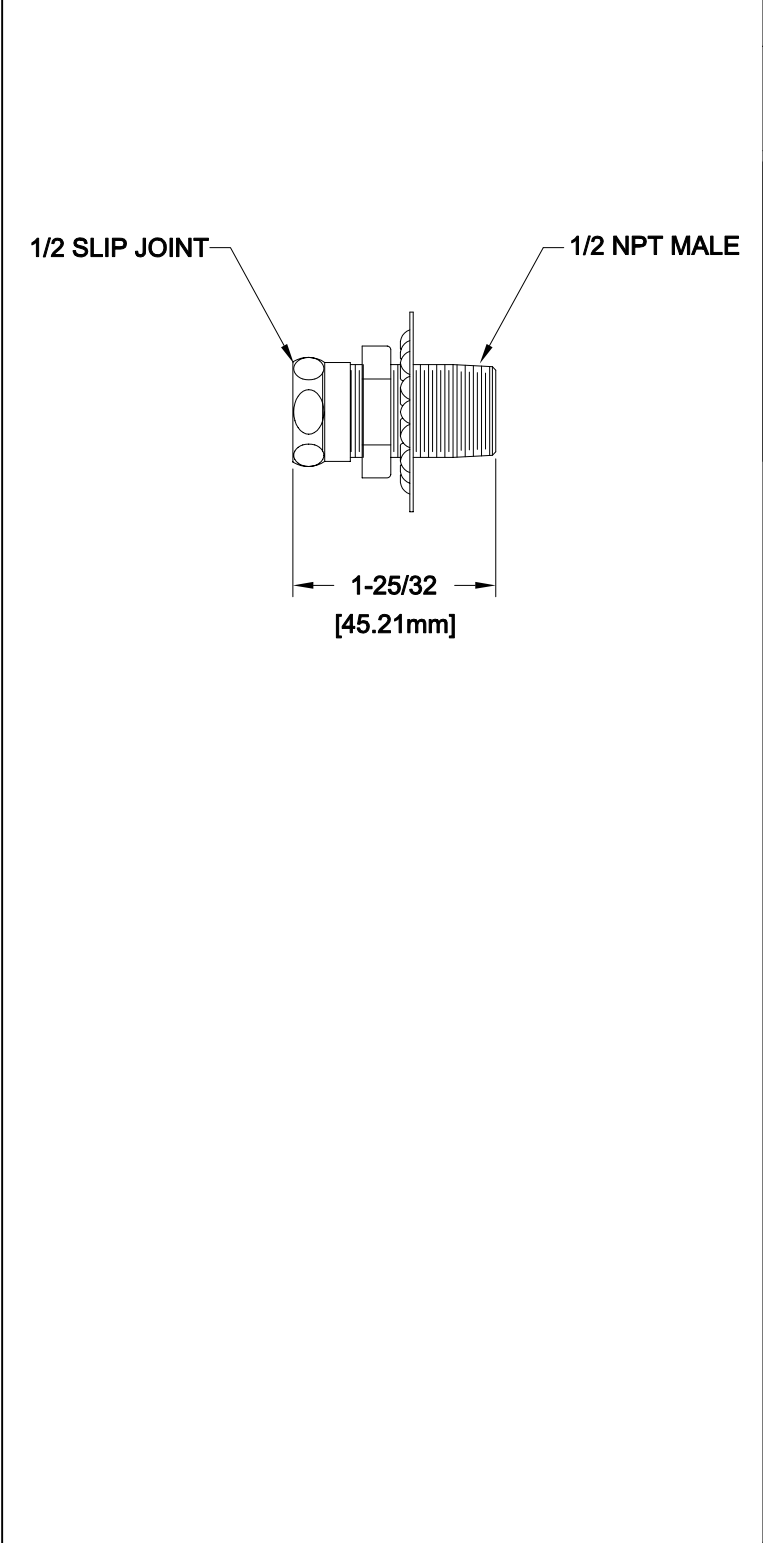
ITEM NO.

MODEL:

2200-0000 1/2" SLIP JOINT KIT

OPTIONS OR MODIFICATIONS:


OTHER _____



FEATURES:

SYSTEM LIMITS
 * TEMP: 40°F MIN. TO 140°F MAX. STATIC
 * PRESSURE 200 PSI MAX. STATIC

SHIPPING WEIGHT
 * 0.25 LBS

 ANSI/A112.18.1M

FISHER
 FISHER MANUFACTURING COMPANY
 TOLL FREE: 800-421-6162 - FAX: 800-832-8238
 information@fisher-mfg.com - www.fisher-mfg.com