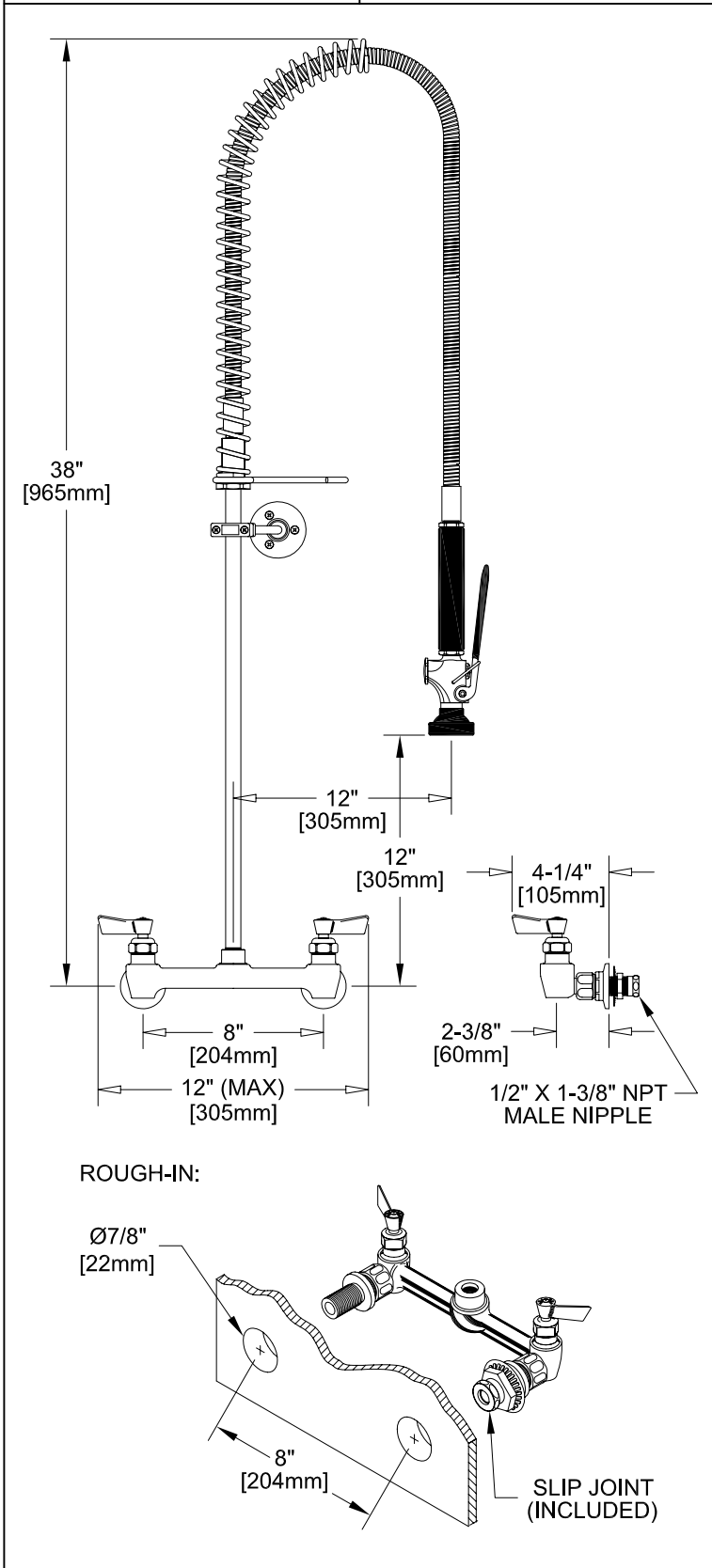


APPLICATION:	
JOB NAME:	
QUANTITY:	ITEM NO.:

PRODUCT NAME: PRE-RINSE, SPRING STYLE, BACKSPASH MOUNT	
SPECIAL CONFIGURATION <input checked="" type="checkbox"/> 64793 CHECK BASE MODEL AND OPTIONS	
MODEL: <input checked="" type="checkbox"/> 13390 ULTRA SPRAY VALVE, WALL BRACKET <input type="checkbox"/> 13366 ULTRA SPRAY VALVE, NO WALL BRACKET	



- OPTIONS OR MODIFICATIONS:
- SUPPLY LINES (24" OR 36") CIRCLE LENGTH
 - ADD-ON FAUCET (6", 8", 10", 12", 14", 16") CIRCLE
 - IN-LINE DUAL CHECK VALVE
 - BRUSH
 - ELBOWS
 - VANDAL RESISTANT KIT
 - HANDLES (CROSS OR WRIST) CIRCLE STYLE
 - OTHER EZ INSTALL ADAPTERS

- FEATURES
- CONTROL VALVE**
- * 8" BACKSPASH MOUNT
 - * INTERNAL SPRING LOADED CHECK VALVES
 - * SWIVELLING SEAT DISKS
 - * HOT SIDE STEM - RIGHT HAND
 - * COLD SIDE STEM - LEFT HAND
 - * STAINLESS STEEL SEATS
 - * STAINLESS STEEL SEAT SCREWS
 - * STAINLESS STEEL HANDLE SCREWS
 - * 1/2" SLIP JOINT KIT
- HOSE**
- * 36" LENGTH
 - * STAINLESS STEEL END FITTINGS
 - * STAINLESS STEEL EXTERNAL JACKET
 - * 3 PLY FIBER REINFORCED INTERNAL RUBBER HOSE
 - * REPAIRABLE IN FIELD WITH SIMPLE TOOLS
- ULTRA SPRAY VALVE**
- * LOWEST ENERGY USER - 1.15 GPM @ 60 PSI
 - * CLEANS FASTER - TEST PROVEN
 - * ENGINEERED TO LAST - NO 'O' RINGS TO LEAK
 - * INTERCHANGEABLE - FITS ALL BRANDS
- SYSTEM LIMITS**
- * TEMP: 40°F MIN. TO 140°F MAX.
 - * PRESSURE: 200 PSI MAX. STATIC
- SHIPPING WEIGHT**
- * 12.0 LBS

FISHER MANUFACTURING COMPANY
TOLL FREE: 800-421-6162 - FAX: 800-832-8238
information@fisher-mfg.com - www.fisher-mfg.com