

APPLICATION:

PRODUCT NAME:
LOCKNUT

JOB NAME:

SPECIAL CONFIGURATION
 CHECK BASE MODEL AND OPTIONS

QUANTITY:

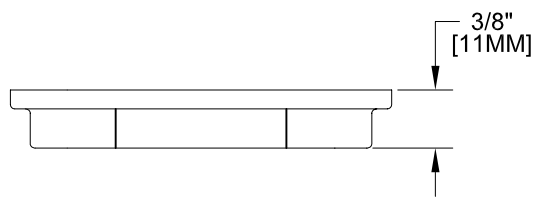
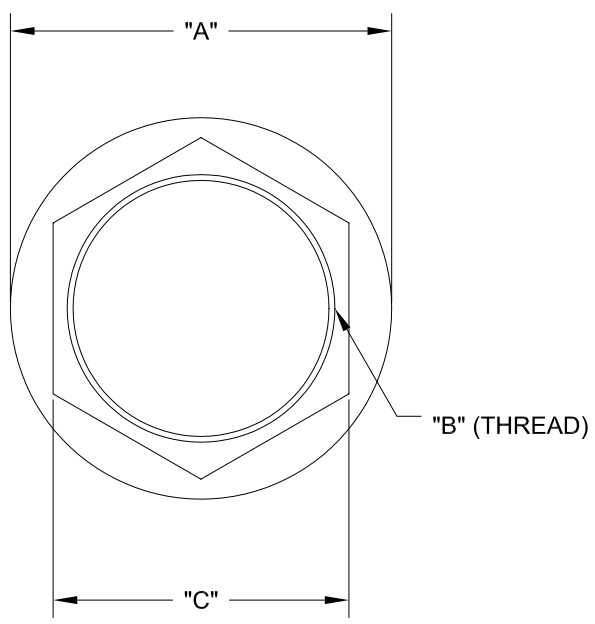
ITEM NO.

MODEL:
 6651-9000 3/4" BRASS
 6250-2100 1" BRASS
 6550-2100 1-1/2" BRASS
 6750-9000 2" BRASS

OPTIONS OR MODIFICATIONS:
 OTHER _____

FEATURES
 * BRASS LOCKNUT

SHIPPING WEIGHT
 * 0.5 LBS



MODEL	DIM "A"	DIM "B"	DIM "C"
6651-9000	1-1/2" [38MM]	3/4" NPS	1-1/4" [32MM]
6250-2100	1-7/8" [48MM]	1" NPS	1-1/2" [38MM]
6550-2100	2-5/8" [67MM]	1-1/2" NPS	2" [50MM]
6750-9000	2-7/8" [73MM]	2" NPS	2-1/2" [63MM]