

PRODUCT NAME: STAINLESS STEEL
8" BACKSPASH PRE-RINSE WITH
ELBOWS

MODEL:
 67997 8" BACKSPASH PRI-RINSE W/ LEVER HANDLES
 74713 8" BACKSPASH PRI-RINSE W/ WRIST HANDLES

- FEATURES
- CONTROL VALVE
- * 8" C/C BACKSPASH MOUNT
 - * CONCENTRICS
 - * INTERNAL SPRING LOADED CHECK VALVES
 - * SWIVELLING SEAT DISKS
 - * HOT SIDE STEM - RIGHT HAND
 - * COLD SIDE STEM - LEFT HAND
 - * STAINLESS STEEL SEATS
 - * STAINLESS STEEL SEAT SCREWS
 - * STAINLESS STEEL HANDLE SCREWS
 - * 1/2" CLOSE ELBOWS

- HOSE
- * 36" LENGTH
 - * STAINLESS STEEL END FITTINGS
 - * STAINLESS STEEL EXTERNAL JACKET
 - * 3 PLY FIBER REINFORCED INTERNAL RUBBER HOSE
 - * REPAIRABLE IN FIELD WITH SIMPLE TOOLS

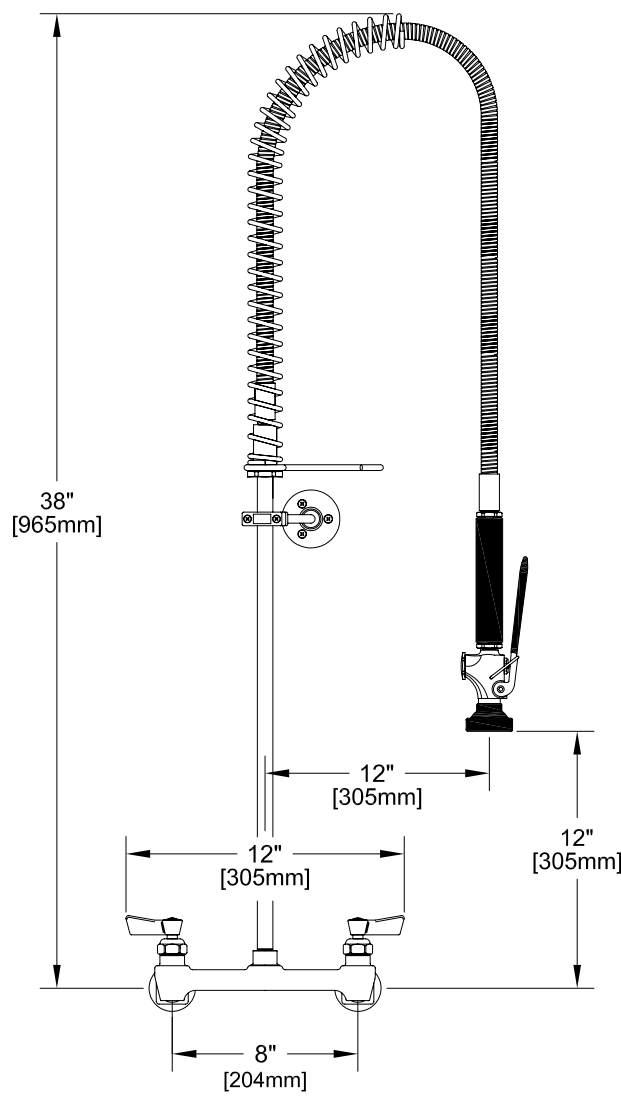
- ULTRA SPRAY VALVE
- * LOWEST ENERGY USER - 1.15 GPM @ 60 PSI
 - * CLEANS FASTER - TEST PROVEN
 - * ENGINEERED TO LAST - NO 'O' RINGS TO LEAK
 - * INTERCHANGEABLE - FITS ALL BRANDS

- WALL BRACKET
- * ADJUSTS FROM 2" TO 12"

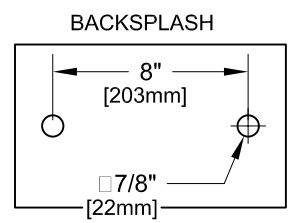
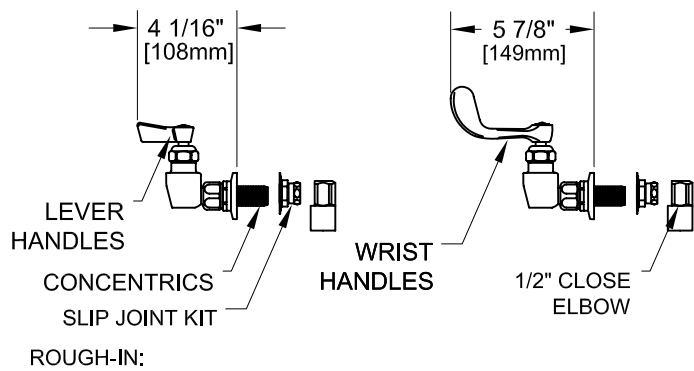
- SYSTEM LIMITS
- * TEMP: 40°F MIN. TO 140°F MAX.
 - * PRESSURE: 200 PSI MAX. STATIC

- SHIPPING WEIGHT
- * 12.0 LBS

* NSF 61-9 APPROVED & LISTED
www.truesdail.com



8" C/C BACKSPASH FAUCET



ANSI/A112.18.1-2005

FISHER
 FISHER MANUFACTURING COMPANY
 TOLL FREE: 800-421-6162 - FAX: 800-832-8238
information@fisher-mfg.com - www.fisher-mfg.com