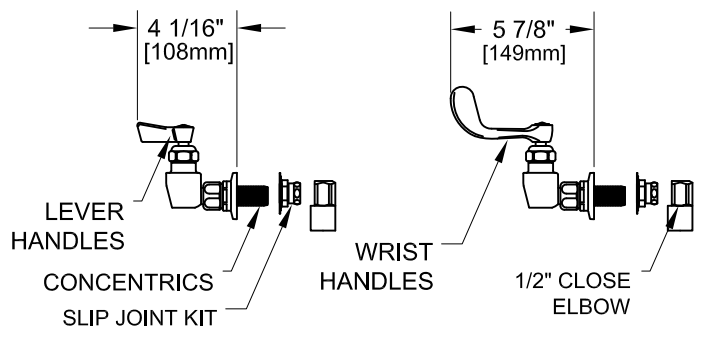
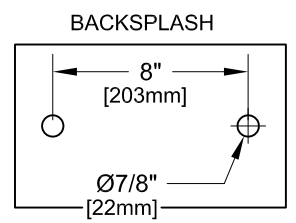


8" C/C BACKSPASH FAUCET



ROUGH-IN:



PRODUCT NAME: STAINLESS STEEL
8" BACKSPASH PRE-RINSE WITH
ADD-ON & ELBOWS

MODEL:

- 68152 6" SWING SPOUT W/ LEVER HANDLES
- 68160 8" SWING SPOUT W/ LEVER HANDLES
- 68179 10" SWING SPOUT W/ LEVER HANDLES
- 68187 12" SWING SPOUT W/ LEVER HANDLES
- 68195 14" SWING SPOUT W/ LEVER HANDLES
- 68209 16" SWING SPOUT W/ LEVER HANDLES
- 74721 6" SWING SPOUT W/ WRIST HANDLES
- 74748 8" SWING SPOUT W/ WRIST HANDLES
- 74756 10" SWING SPOUT W/ WRIST HANDLES
- 74764 12" SWING SPOUT W/ WRIST HANDLES
- 74772 14" SWING SPOUT W/ WRIST HANDLES
- 74780 16" SWING SPOUT W/ WRIST HANDLES

FEATURES:

CONTROL VALVE

- * 8" C/C BACKSPASH MOUNT
- * CONCENTRICS
- * INTERNAL SPRING LOADED CHECK VALVES
- * SWIVELLING SEAT DISKS
- * HOT SIDE STEM - RIGHT HAND
- * COLD SIDE STEM - LEFT HAND
- * STAINLESS STEEL SEATS
- * STAINLESS STEEL SEAT SCREWS
- * STAINLESS STEEL HANDLE SCREWS
- * 1/2" CLOSE ELBOWS

ADD-ON CONTROL VALVE

- * STEM - RIGHT HAND SWIVEL
- * HOT INDEX BUTTON
- * SWIVELLING SEAT DISKS
- * STAINLESS STEEL SEATS, SEAT SCREWS AND HANDLE SCREWS.

HOSE

- * 36" LENGTH
- * STAINLESS STEEL END FITTINGS
- * STAINLESS STEEL EXTERNAL JACKET
- * 3-PLY FIBER REINFORCED INTERNAL RUBBER HOSE
- * REPAIRABLE IN FIELD WITH SIMPLE TOOLS

ULTRA SPRAY VALVE

- * LOWEST ENERGY USER - 1.15 GPM @ 60 PSI
- * CLEANS FASTER - TEST PROVEN
- * ENGINEERED TO LAST - NO 'O' RINGS TO LEAK
- * INTERCHANGEABLE - FITS ALL BRANDS

WALL BRACKET

- * ADJUSTS FROM 2" TO 12"

SYSTEM LIMITS

- * TEMP: 40°F MIN. TO 160°F MAX. STATIC
- * PRESSURE 200 PSI MAX. STATIC
- * SHIPPING WEIGHT: 15.0 LBS

* NSF 61-9 APPROVED & LISTED
www.truesdail.com



FISHER MANUFACTURING COMPANY
TOLL FREE: 800-421-6162 - FAX: 800-832-8238
information@fisher-mfg.com - www.fisher-mfg.com

WARNING:

Proposition 65 requires that we provide you with the following notice: "This product Contains A Chemical Known To The State Of California To Cause Cancer Or Birth Defects Or Other Reproductive Harm."



ANSI/A112.18.1