

APPLICATION:

PRODUCT NAME:  
8" C/C BACKSPLASH FAUCET

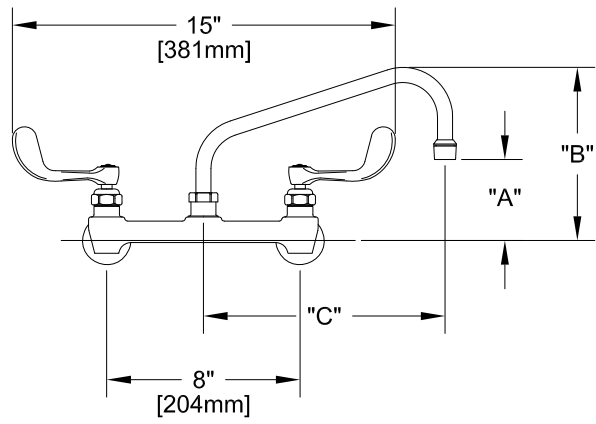
JOB NAME:

SPECIAL CONFIGURATION  
 CHECK BASE MODEL AND OPTIONS

QUANTITY:

ITEM NO.

MODEL:  
 55387 W/ 6" SWING SPOUT  
 83178 W/ 8" SWING SPOUT  
 91200 W/ 10" SWING SPOUT  
 85065 W/ 12" SWING SPOUT  
 85081 W/ 14" SWING SPOUT  
 83186 W/ 16" SWING SPOUT



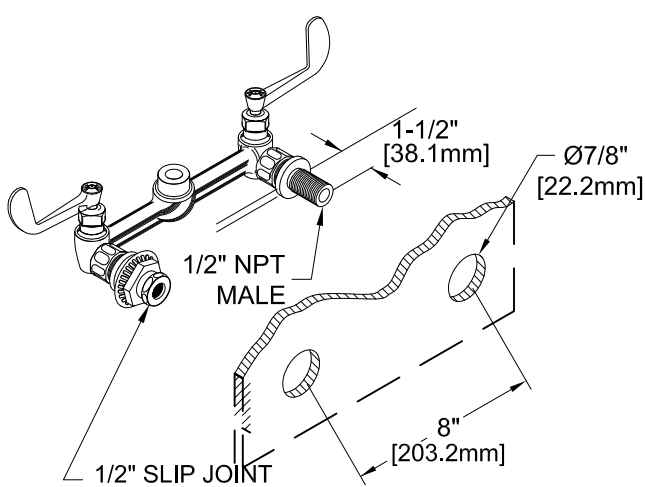
MODEL	DIM "A"	DIM "B"	DIM "C"
55387	2-1/4" [57mm]	5-7/8" [149mm]	6" [152mm]
83178	2-1/2" [64mm]	6-3/8" [162mm]	8" [204mm]
91200	3-1/8" [79mm]	6-7/8" [175mm]	10" [254mm]
85065	3-3/4" [95mm]	7-3/8" [187mm]	12" [305mm]
85081	4-3/8" [111mm]	8-1/4" [210mm]	14" [356mm]
83186	5" [127mm]	8-7/8" [225mm]	16" [406mm]

OPTIONS OR MODIFICATIONS:  
 SUPPLY LINES (24" OR 36") CIRCLE LENGTH  
 DJ SUB-ASSY (7-1/4" OR 13") CIRCLE LENGTH  
 **ELBOWS**  
 VANDAL RESISTANT KIT  
 HANDLES (CROSS OR WRIST) CIRCLE STYLE  
 OTHER \_\_\_\_\_

FEATURES  
 CONTROL VALVE  
 \* 8" C/C BACKSPLASH MOUNT  
 \* SWIVELLING SEAT DISKS  
 \* HOT SIDE STEM - RIGHT HAND  
 \* COLD SIDE STEM - LEFT HAND  
 \* STAINLESS STEEL SEATS  
 \* STAINLESS STEEL SEAT SCREWS  
 \* STAINLESS STEEL HANDLE SCREWS  
 \* 1/2" SLIP JOINT  
 SYSTEM LIMITS  
 \* TEMP: 40°F MIN. TO 160°F MAX.  
 \* PRESSURE: 200 PSI MAX. STATIC  
 \* 2.20 GPM AT 80 PSI

SHIPPING WEIGHT  
 \* 5.0 LBS

ROUGH-IN:



**FISHER**  
 FISHER MANUFACTURING COMPANY  
 TOLL FREE: 800-421-6162 - FAX: 800-832-8238  
 information@fisher-mfg.com - www.fisher-mfg.com