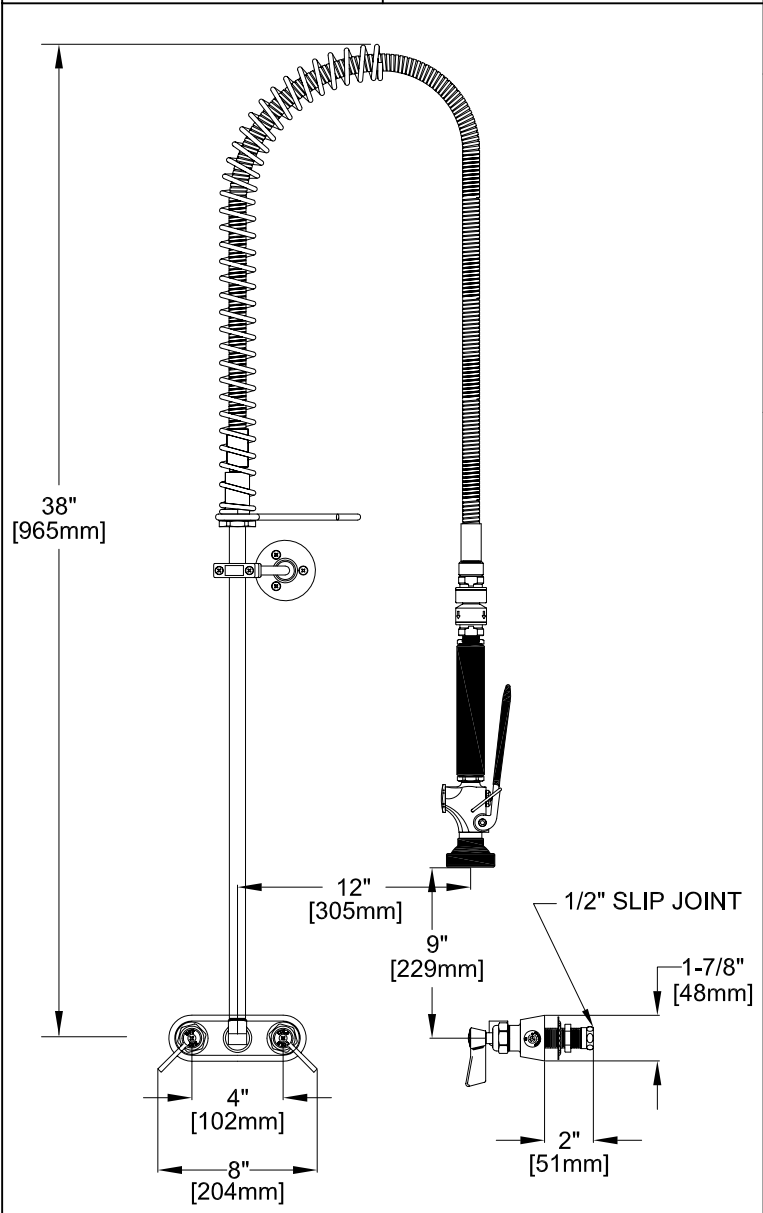


APPLICATION:	
JOB NAME:	
QUANTITY:	ITEM NO.:

PRODUCT NAME:	PRE-RINSE, SPRING STYLE, BACKSPASH MOUNT
83305	SPECIAL CONFIGURATION CHECK BASE MODEL AND OPTIONS
MODEL:	<input checked="" type="checkbox"/> 2610-WB ULTRA SPRAY VALVE, WALL BRACKET <input type="checkbox"/> 2610 ULTRA SPRAY VALVE, NO WALL BRACKET



OPTIONS OR MODIFICATIONS:	<input type="checkbox"/> SUPPLY LINES (24" OR 36") CIRCLE LENGTH <input type="checkbox"/> ADD-ON FAUCET (6", 8", 10", 12", 14", 16") CIRCLE <input checked="" type="checkbox"/> IN-LINE DUAL CHECK VALVE <input type="checkbox"/> BRUSH <input checked="" type="checkbox"/> ELBOWS <input type="checkbox"/> VANDAL RESISTANT KIT <input type="checkbox"/> HANDLES (CROSS OR WRIST) CIRCLE STYLE <input type="checkbox"/> OTHER _____
---------------------------	---

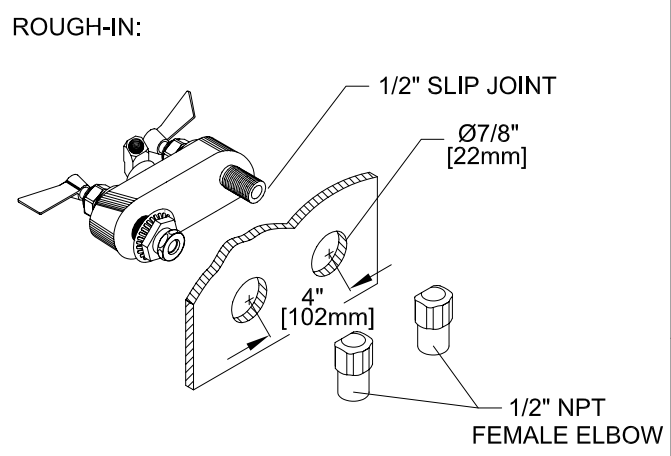
- FEATURES**
- CONTROL VALVE**
- * 4" C/C BACKSPASH MOUNT
 - * INTERNAL SPRING LOADED CHECK VALVES
 - * SWIVELLING SEAT DISKS
 - * HOT SIDE STEM - RIGHT HAND
 - * COLD SIDE STEM - LEFT HAND
 - * STAINLESS STEEL SEATS
 - * STAINLESS STEEL SEAT SCREWS
 - * STAINLESS STEEL HANDLE SCREWS

- HOSE**
- * 36" LENGTH
 - * STAINLESS STEEL END FITTINGS
 - * STAINLESS STEEL EXTERNAL JACKET
 - * 3 PLY FIBER REINFORCED INTERNAL RUBBER HOSE
 - * REPAIRABLE IN FIELD WITH SIMPLE TOOLS

- ULTRA SPRAY VALVE**
- * LOWEST ENERGY USER - 1.15 GPM @ 60 PSI
 - * CLEANS FASTER - TEST PROVEN
 - * ENGINEERED TO LAST - NO 'O' RINGS TO LEAK
 - * INTERCHANGEABLE - FITS ALL BRANDS

- SYSTEM LIMITS**
- * TEMP: 40°F MIN. TO 140°F MAX.
 - * PRESSURE: 200 PSI MAX. STATIC

- SHIPPING WEIGHT**
- * 12.0 LBS



FISHER
 FISHER MANUFACTURING COMPANY
 TOLL FREE: 800-421-6162 - FAX: 800-832-8238
 information@fisher-mfg.com - www.fisher-mfg.com