

APPLICATION:

PRODUCT NAME:
4" C/C DECK FAUCET

JOB NAME:

■ 90212 SPECIAL CONFIGURATION
CHECK BASE MODEL AND OPTIONS

QUANTITY:

ITEM NO.

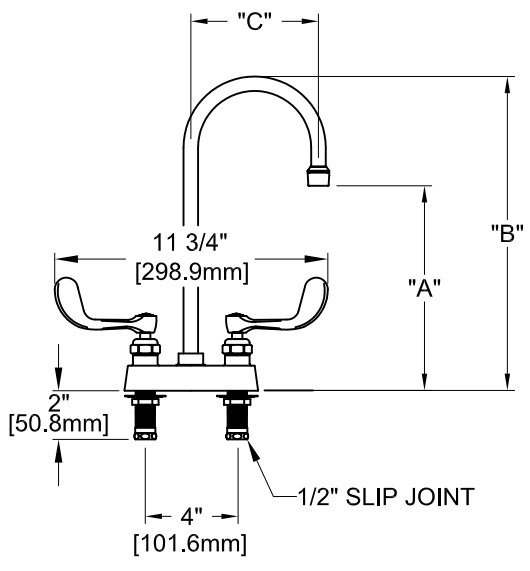
MODEL:
 3516 W/ 12" RIGID GOOSENECK SPOUT
 3526 W/ 6" RIGID GOOSENECK SPOUT

OPTIONS OR MODIFICATIONS:
 SUPPLY LINES (24" OR 36") CIRCLE LENGTH
 VANDAL RESISTANT KIT
 HANDLES (CROSS OR WRIST) CIRCLE STYLE
 OTHER _____

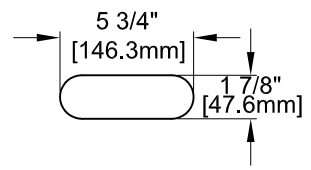
FEATURES:
 * 4" C/C DECK MOUNT
 * SWIVELING SEAT DISKS
 * HOT SIDE STEM - RIGHT HAND
 * COLD SIDE STEM - LEFT HAND
 * STAINLESS STEEL SEATS
 * STAINLESS STEEL SEAT SCREWS
 * STAINLESS STEEL HANDLE SCREWS
 * 1/2" SLIP JOINT KIT

SYSTEM LIMITS
 * TEMP: 40°F MIN. TO 140°F MAX.
 * PRESSURE 200 PSI MAX. STATIC
 * 2.20 GPM AT 80 PSI

SHIPPING WEIGHT
 * 4.5 LBS

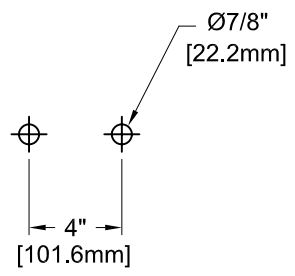


FOOTPRINT:



MODEL	DIM "A"	DIM "B"	DIM "C"
3516	8-1/2" [215.9mm]	12-1/2" [317.5mm]	5-1/2" [139.7mm]
3526	4-3/4" [120.7mm]	8-3/8" [212.7mm]	3-1/2" [88.90mm]

ROUGH-IN:



FISHER
 FISHER MANUFACTURING COMPANY
 TOLL FREE: 800-421-6162 - FAX: 800-832-8238
 information@fisher-mfg.com - www.fisher-mfg.com