

APPLICATION:

JOB NAME:

PRODUCT NAME:

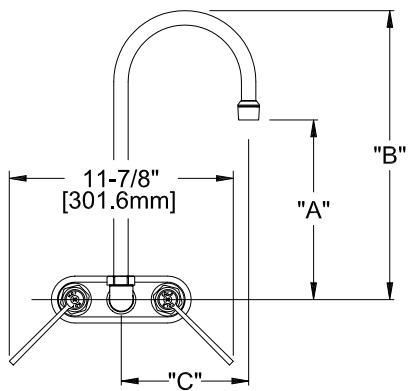
8" C/C BACKSPLASH FAUCET

90476 SPECIAL CONFIGURATION
CHECK BASE MODEL AND OPTIONS

QUANTITY:

ITEM NO.

- MODEL:
- 3615 4" C/C BACKSPLASH W/ 12" SGN
 - 3616 4" C/C BACKSPLASH W/ 12" RGN
 - 1996 4" C/C BACKSPLASH W/ 6" SGN
 - 2003 4" C/C BACKSPLASH W/ 6" RGN



MODEL	DIM "A"	DIM "B"	DIM "C"
3615	8-3/4" [222.3mm]	12-1/2" [317.5mm]	5-1/2" [139.7mm]
3616	8-3/4" [222.3mm]	12-1/2" [317.5mm]	5-1/2" [139.7mm]
1996	5" [127.0mm]	8-3/4" [222.3mm]	3-1/2" [88.9mm]
2003	5" [127.0mm]	8-3/4" [222.3mm]	3-1/2" [88.9mm]

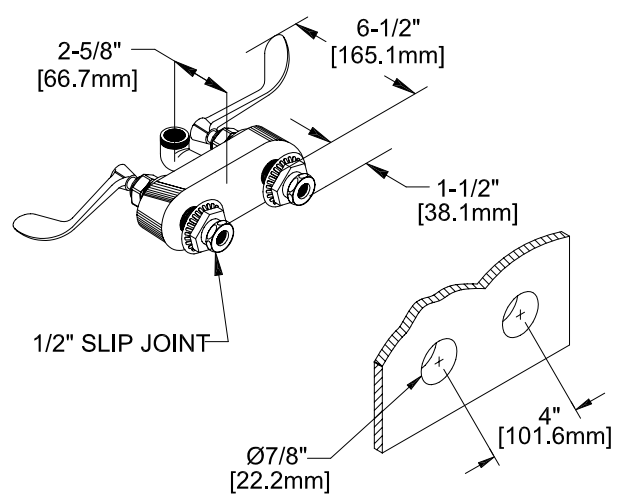
- OPTIONS OR MODIFICATIONS:
- SUPPLY LINES (24" OR 36") CIRCLE LENGTH
 - IN-LINE DUAL CHECK VALVE
 - ELBOWS
 - VANDAL RESISTANT KIT
 - HANDLES (CROSS OR WRIST) CIRCLE STYLE
 - OTHER _____

- FEATURES:
- CONTROL VALVE
- * 4" C/C BACKSPLASH
 - * SWIVELLING SEAT DISKS
 - * HOT SIDE STEM - LEFT HAND
 - * COLD SIDE STEM - RIGHT HAND
 - * STAINLESS STEEL SEATS
 - * STAINLESS STEEL SEAT SCREWS
 - * STAINLESS STEEL HANDLE SCREWS
- SYSTEM LIMITS
- * TEMP: 40°F MIN. TO 140°F MAX.
 - * PRESSURE 200 PSI MAX. STATIC
 - * 2.2 GPM AT 80 PSI

SHIPPING WEIGHT

- * 6.0 LBS

ROUGH-IN:



FISHER
FISHER MANUFACTURING COMPANY
TOLL FREE: 800-421-6162 - FAX: 800-832-8238
information@fisher-mfg.com - www.fisher-mfg.com