

APPLICATION:

JOB NAME:

PRODUCT NAME:
8" ADJUSTABLE WALL MOUNT FAUCET

SPECIAL CONFIGURATION
 CHECK BASE MODEL AND OPTIONS

QUANTITY:

ITEM NO.

MODEL:

91383 W/ 6" SWING SPOUT

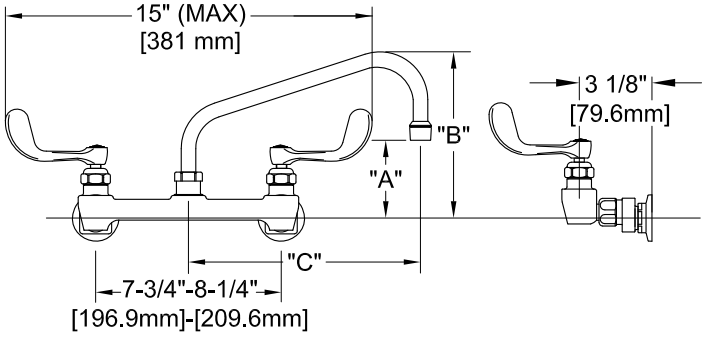
91553 W/ 8" SWING SPOUT

91235 W/ 10" SWING SPOUT

91065 W/ 12" SWING SPOUT

94706 W/ 14" SWING SPOUT

93467 W/ 16" SWING SPOUT



OPTIONS OR MODIFICATIONS:

SUPPLY LINES (24" OR 36") CIRCLE LENGTH

DJ SUB-ASSY (7-1/4" OR 13") CIRCLE LENGTH

NIPPLES

ELBOWS

VANDAL RESISTANT KIT

HANDLES (CROSS OR WRIST) CIRCLE STYLE

OTHER _____

MODEL	DIM "A"	DIM "B"	DIM "C"
91383	2-1/4" [57.2mm]	5-7/8" [149.2mm]	6" [152.4mm]
91553	2-1/2" [63.5mm]	6-3/8" [161.9mm]	8" [203.2mm]
91235	3-1/8" [79.4mm]	6-7/8" [174.6mm]	10" [254.0mm]
91065	3-3/4" [95.3mm]	7-3/8" [187.3mm]	12" [304.8mm]
94706	4-3/8" [111.1mm]	8-1/4" [209.6mm]	14" [355.6mm]
93467	5" [127.0mm]	8-7/8" [225.4mm]	16" [406.4mm]

FEATURES:

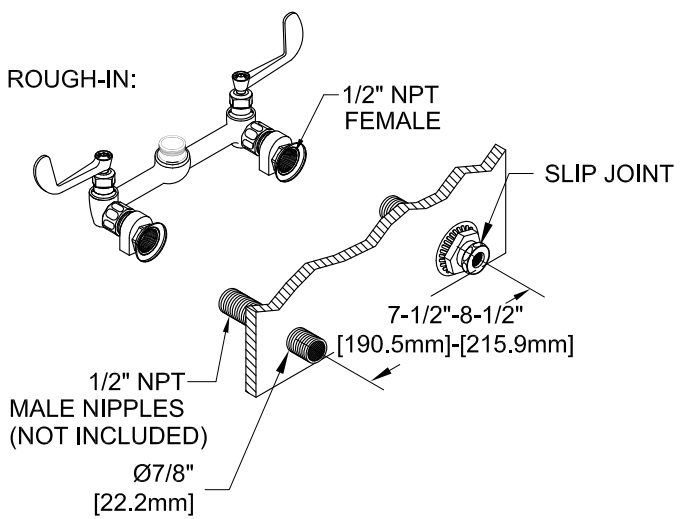
- * 8" ADJUSTABLE WALL MOUNT
- * ECCENTRICS ADJUST FROM 7-3/4" TO 8-1/4"
- * SWIVELING SEAT DISKS
- * HOT SIDE STEM - RIGHT HAND
- * COLD SIDE STEM - LEFT HAND
- * STAINLESS STEEL SEATS
- * STAINLESS STEEL SEAT SCREWS
- * STAINLESS STEEL HANDLE SCREWS

SYSTEM LIMITS

- * TEMP: 40°F MIN. TO 140°F MAX.
- * PRESSURE 200 PSI MAX. STATIC
- * 2.20 GPM AT 80 PSI

SHIPPING WEIGHT

- * 5.0 LBS



FISHER

FISHER MANUFACTURING COMPANY

TOLL FREE: 800-421-6162 - FAX: 800-832-8238

information@fisher-mfg.com - www.fisher-mfg.com